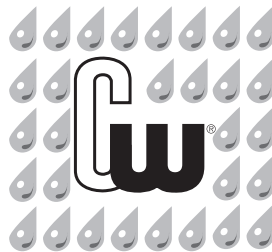
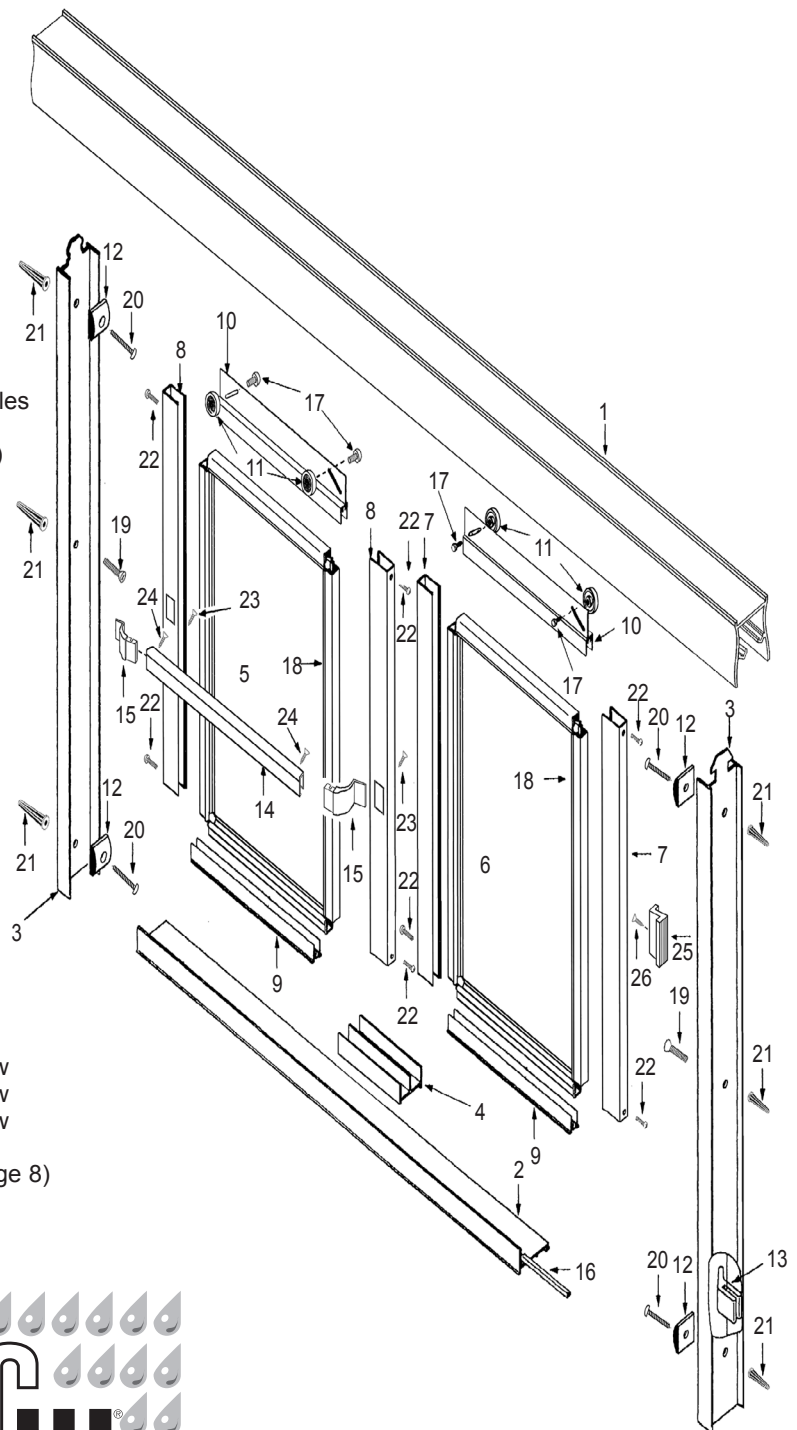


Model 1100 Illustrated Installation Instructions

Illustrated Parts Breakdown (IPB)

(For shower head nozzle on right)

No.	QTY	PART #	PART DESCRIPTION
#1	1	A7406	Header
#2	1	A7420	Curb
#3L	1	A7460	Left Wall Jamb
#3R	1	A7460	Right Wall Jamb
#4	1	G1110	Guide
#5	1		Outside Framed Door Panel
#6	1		Inside Framed Door Panel with Integrated Handles
#7	2	A7436	Side Rail with Integrated Handles (Inside Door Panel)
#8	2	A7437	Side Rail (Outside Door Panel)
#9	2	A7456	Bottom Rail
#10	2	A7446	Top Rail
#11	4	W8120	Roller
#12	4	J3000	Wall Jamb Bumper
#13	1	G2090	Panel Locator
#14	1	A6075	Towel Bar
#15	2	A7416	Towel Bar Bracket
#16	1	G3070GY	Gray Panel Glide Strip
		G3070GD	Gold Panel Glide Strip
#17	4	S82010	Zinc #8-32 x 3/8" HWH Screw
#18	2	G2120GD	Gold Glazing Vinyl
		G2120GY	Gray Glazing Vinyl
#19	2	S82070	Gold #8 x 1-1/2" FH SMS Screw
		S82075	Silver #8 x 1-1/2" FH SMS Screw
		S82075W	White #8 x 1-1/2" FH SMS Screw
#20	4	S82060	Gold #8 x 1-1/2" PH SMS Screw
		S82065	Silver #8 x 1-1/2" PH SMS Screw
		S82065W	White #8 x 1-1/2" PH SMS Screw
#21	6	S0170	Screw Anchor
#22	8	S81060	#6 x 1-1/2" PH SMS Screw
		S81065	#6 x 1-1/2" PH SMS Screw
		S81065W	#6 x 1-1/2" PH SMS Screw
#23	2	S83120	Gold #8 x 3/8" FH T/S Type F Screw
		S83125	Silver #8 x 3/8" FH T/S Type F Screw
		S83125W	White #8 x 3/8" FH T/S Type F Screw
#24	2	S81006	#6 x 5/16" FH Type F Screw
#25	1	HO750	Optional Door Handle (see Page 8)
#26	1	S81025	#6 x 3/8" PH SMS Screw
		S81020	#6 x 3/8" PH SMS Screw
		S81025W	#6 x 3/8" PH SMS Screw



Contractors Wardrobe®

DESIGNERS • MANUFACTURERS

26121 Avenue Hall • Valencia, CA 91355 • (661) 257-1177 • Fax: (661) 257-4907

Toll Free: (800) CW-DOORS • (800) 293-6677 • www.CwDoor.com

In this instruction booklet we will walk you through the installation of your new shower door.

DO NOT REMOVE your old shower door until you check that your new shower door kit is the right size for your shower and that all the proper parts are in the box or hardware bag. NOTE: The Header (#1) and Curb (#2) are shipped 1" oversized, so you will need to cut each to fit.

Use a level to check that the tub (sill/shower dam) is reasonably level — not more than 1/4" out of level from side to side. If it is out of level more than that, you may want to consider ordering a custom-mitered fill that fits under the Curb (#2). This will level the Curb (#2) correctly. In the absence of leveling the Curb (#2) with a mitered fill, and depending upon how badly your tub is out of level, the panels may not stay in a closed position. Instead, the panels may roll downhill, causing one of the doors to open.

Make sure that you have all the proper tools required to assemble your new shower door. Use this check list.

- Phillips Head Screwdriver
- Level
- Electric Drill
- 1/8" Drill Bit (for fiberglass stall)
- 3/16" Masonry Drill Bit (for tile stall)
- Pencil
- Hammer
- Fine File
- Miter Box and Hacksaw with 32 Teeth/Inch Blade
- Caulking Gun and one Tube of Clear Tub/Tile Silicone
- 1/4" Open End Wrench
- Wire Cutters
- Tape Measure
- Duct Tape
- Safety Glasses
- Safety Gloves

CAUTION: Wear Safety Glasses whenever drilling or cutting. Handle the framed glass Panels carefully. The sharp corners of the Panels can damage tile and floor covering. Tempered glass cannot be cut. Do NOT let the corners of the Door Panels strike the other glass Door Panel or any hard surface, wall or floor. Even tempered glass may be shattered in this manner.

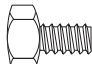
STEP 1 **Checking Contents of Shower Door Package**


DO NOT use a razor blade to cut open the paper wrapping as you may scratch the contents. In the box or small hardware parts bag you should find the following:

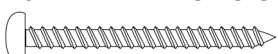
No. Qty. Description

- (#1) 1 Header - (approximately 1" oversized)
- (#2) 1 Curb (approximately 1" oversized)

- (#3) 2 Wall Jamb - (Marked "L" and "R")
- (#4) 1 Guide
- (#5) 1 Outside Framed Door Panel
- (#6) 1 Inside Framed Door Panel with Integrated Handles
- (#11) 4 Roller
- (#12) 4 Wall Jamb Bumper
- (#13) 1 Panel Locator
- (#14) 1 Towel Bar
- (#15) 2 Towel Bar Bracket
- (#16) 1 Panel Glide Strip (Pre-installed in Curb)

- (#17) 4 #8-32 x 3/8" HWH Screw 

- (#19) 2 #8 x 1-1/2" FH SMS Screw 

- (#20) 4 #8 x 1-1/2" PH SMS Screw 

- (#21) 6 Screw Anchor 

- (#23) 2 #8 x 3/8" FH T/S Type F Screw 

- (#24) 2 #6 x 5/16" PH FT SMS Screw 

If you find that any parts are damaged or missing, refer to the parts list and IPB Drawing and contact Contractors Wardrobe®'s Customer Service Department at 661-257-1177. NOTE: Views and directions given in these instructions — left, right, front, back, etc. — are from outside the enclosure, facing the shower.

STEP 2 **Removing Existing Shower Doors**

After determining that your newly purchased shower enclosure kit is the correct size, remove the existing shower door and all existing parts of that door assembly. Remove all screw anchors from the wall. Clean silicone sealant or shower caulking and any other contaminants from shower and wall surfaces.

STEP 3 **Installing the Curb**

NOTE: If your shower has a curve (radius) in the corners at the side walls, be sure to measure from wall to wall *below* the curves.

- A. Using the Tape Measure, measure between right and left walls along the flattest part of the tub sill. Write this dimension down.

- B. Center the Curb (#2) on the sill/dam. In some installations, you may prefer to position the Curb (#2) forward or back of center. For example, by moving the Curb (#2) forward, you will slightly increase the depth within the shower area (See Figure 2).

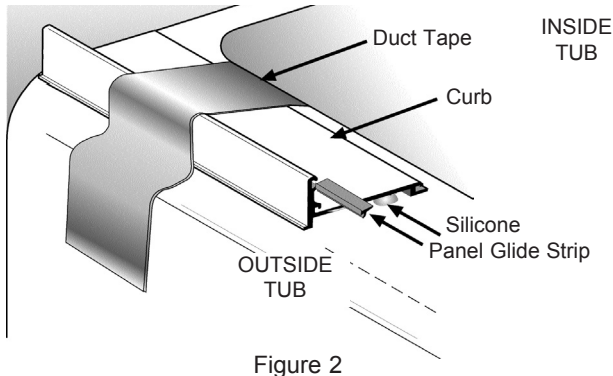


Figure 2

- C. Locate Curb (#2). Remove the Panel Glide Strip (#16) from the Curb (#2). See IPB Drawing.
- D. Using the measurement from Step 3A, cut the Curb (#2) to this length. Use the Miter Box and Hacksaw to make a straight cut.
- E. Using the Wire Cutters, cut the Panel Glide Strip (#16) 3/8" shorter than the Curb (#2). Re-install the Panel Glide Strip (#16) into the Curb (#2) and position it (center it) so that the ends of Panel Glide Strip (#16) are evenly spaced at each end of the Curb (#2).
- F. Cut two pieces of Duct Tape 12" long. Next, use the Caulking Gun to apply a thick bead of Silicone sealant (approximately 3/8" in diameter) to the bottom surface of the Curb (#2) along its entire length. Place the Curb (#2) on the shower sill, in the position you determined in Step 3B. Use the two strips of Duct Tape to temporarily hold the Curb (#2) in place, but DO NOT place the tape within 2" of the wall. In other words, the distance (gap) between the wall and the tape should be 2" or more away from the walls so that the tape will not be in your way when you install the Wall Jamb (#3) (See Figure 2).

NOTE: The tape will help provide a positive seal to the shower sill while holding the Curb (#2) in place for the following steps.

STEP 4 Installing the Wall Jamb

NOTE: The Model #1100 comes with two Wall Jamb (#3). One is notched for the left wall, the other is notched for the right wall (as you face the enclosure from the outside). If you look at the bottom end of each Wall Jamb (#3), on the back surface you will see that each is clearly stamped "L" for left, "R" for right.

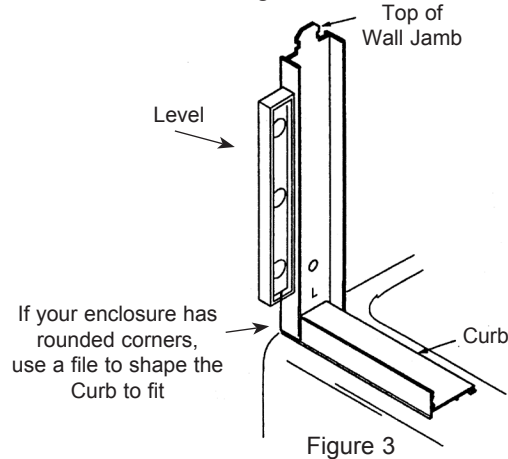


Figure 3

- A. Locate the left Wall Jamb (#3L) marked with an "L". If your shower has curved corners, use a File to round off and shape the bottom ends of the Wall Jamb (#3) to fit the rounded corners of the shower.
- B. Place the left Wall Jamb (#3L) against the left wall and slip/snap the bottom of the Wall Jamb (#3L) over the Curb (#2). Use a Level held against the side of the Wall Jamb (#3L) to align it vertically straight up and down as shown in Figure 3. Use a Pencil to mark the position of each of the three

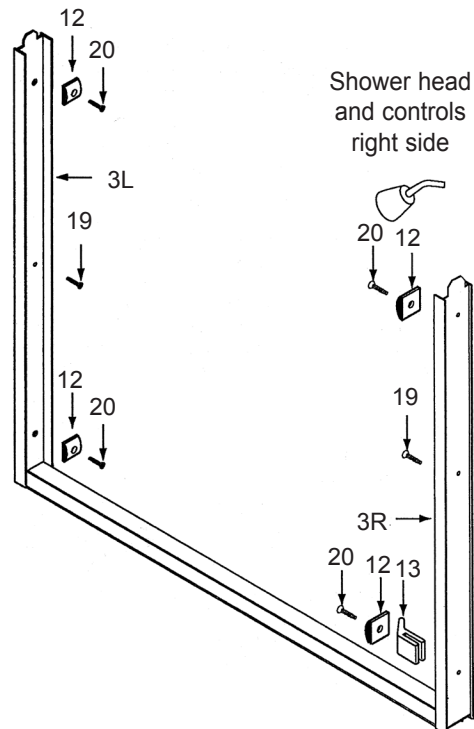


Figure 4A

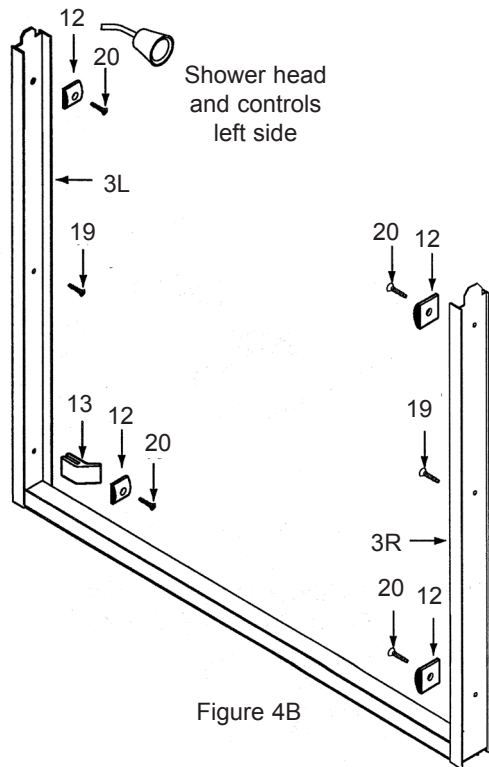


Figure 4B

pre-drilled holes in the left Wall Jamb (#3L). Set the Wall Jamb (#3L) aside for the moment.

- C. Using either a 1/8" Drill Bit (for a fiberglass enclosure) or a 3/16" Masonry Drill Bit (for tile) drill three holes where you made the marks. If installing in a tiled enclosure, gently tap a Screw Anchor (#21) into each hole. DO NOT use the Screw Anchors (#21) for a fiberglass enclosure.
- D. Place the Wall Jamb (#3L) back over the Curb (#2) and against the wall and secure with a single #8 x 1-1/2" PH SMS Screw (#20) and one Wall Jamb Bumper (#12) in the TOP hole only, at this time.
- E. Repeat Steps 4A through 4C for the right Wall Jamb (#3R).
- F. Remove the Duct Tape after Silicone dries.
- G. Use two #8 x 1-1/2" FH SMS Screws (#19) to secure the middle of the Wall Jamb (#3).
- H. Use two #8 x 1-1/2" PH SMS Screws (#20) to secure the Wall Jamb Bumpers (#12) in the bottom hole of the left and right Wall Jambs (#3) to completely secure the Wall Jambs (#3).

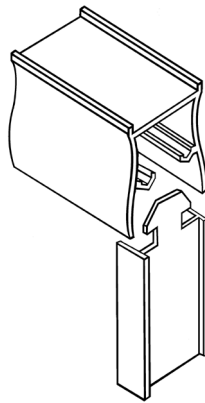


Figure 4C

STEP 5 Installing the Panel Locator

- A. In order to install the Panel Locator (#13) you must first determine which wall the shower head is on. See Figures 4A and 4B.
- B. Attach Panel Locator (#13) to the edge of the Wall Jamb (#3) on the shower head side, as shown.

STEP 6 Installing the Header

- A. Using the Tape Measure, measure the distance between the left and right wall at the top (Remember, the width at the bottom of the enclosure may *not* be the same as the width of the top of the enclosure because walls may not be plumb and square).
- B. Locate the Header (#1). Using the Miter Box and Hacksaw, cut the Header (#1) to the length you just measured.
- C. The Model #1100 comes with a positive snap-lock feature which eliminates the need for screws to hold the Header (#1) in place, and help to secure the Panels (#5 and #6) in Header (#1) in case there is an earthquake. Position the Header (#1) over the top of the Wall Jambs (#3). Spread the Header (#1) sides slightly as you pull it down firmly onto the Wall Jambs (#3) as it snaps and locks in place. You should be able to hear and feel when it solidly locks in place.

STEP 7 Installing the Rollers on the Panels

IMPORTANT: Enclosures with Obscure or Specialty glass are installed with the textured surface of the framed Panels facing out, or to the *front*. The *smooth* surface will face *into* the shower. This orientation gives you the front and back of each Panel. Now, locate the Outside Framed Door Panel (#5). Locate four #8-32 x 3/8" HWH Screws (#17).

- A. Use two #8-32 x 3/8" HWH Screws (#17) to attach two Rollers (#11) to the top of the Outside Framed Door Panel (#5) with the Rollers (#11) on the front surface of the Top Rail (#10). The metal parts (the Nut side) should be against the frame, as shown in Figure 5B.

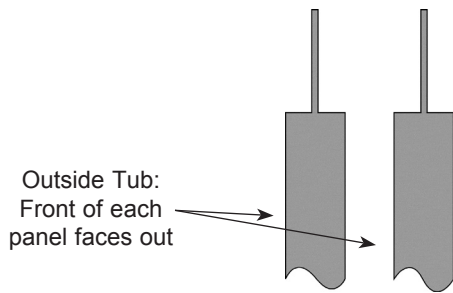


Figure 5A

- B. Use two more #8-32 x 3/8" HWH Screws (#17) to attach the remaining Rollers (#11) to the back surface of the Top Rail (#10) of the Inside Framed Door Panel (#6). The metal parts (the Nut side) should be against the frame, as shown in Figure 5C.

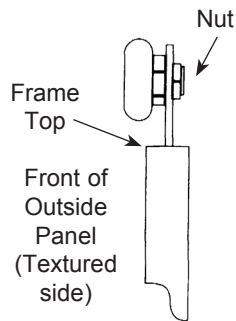


Figure 5B

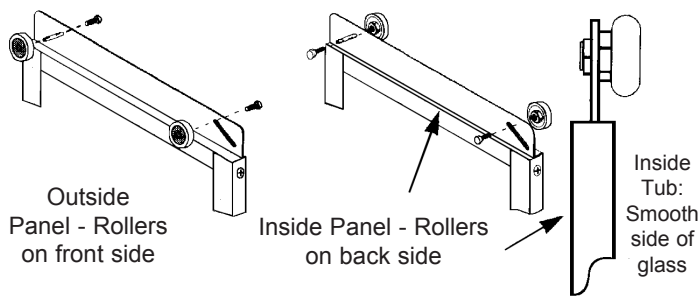


Figure 5C

STEP 8 Installing the Door Panels

Installing the Door Panels may be easier if you have someone assisting you. **Always wear gloves and safety goggles whenever handling glass.**

- Locate the Inside Framed Door Panel with Integrated Handles (#6). When standing inside the shower, the curved Integrated Handles will be facing you.
- Hold the Inside Framed Door Panel (#6) so that the rollers are facing away from you. Standing outside and facing the shower enclosure, lift the Inside Framed Door Panel (#6) up and over the Curb (#2) and then lift the Top Rail (#10) up into the Header (#1) (See Figure 6A).
- Gently set (lower) the Inside Framed Door Panel (#6) into position with the wheels seated in the rear track of the Header (#1). Make sure that the Panel rolls freely.

- If someone is assisting you, have he or she stand in the shower and pull the bottom edge of the Inside Framed Door Panel (#6) towards them, to give you about 2" of clearance for the next step. If you are installing the doors by yourself, you will need to push the Inside Framed Door Panel (#6) out of your way as we describe here. Hold the Outside Framed Door Panel (#5) so that the Rollers (#11) face towards you. Lift the Outside Framed Door Panel (#5) and use the index finger of both hands to carefully push the Inside Framed Door Panel (#6) back and out of the way as you lift the Outside Framed Door Panel (#5) up and over the Curb (#2). Insert the Top Rail (#10) up and into the Header (#1). Set the wheels into the front track of the Header (#1) (See Figure 6B).

- VERY CAREFULLY set the Outside Framed Door Panel (#5) into the track and make sure that it rolls freely. Carefully ease the Inside Framed Door Panel (#6) back into place.

- Slide both Panels to one side to prepare for the next step.

First Panel Installation (Inside Door)

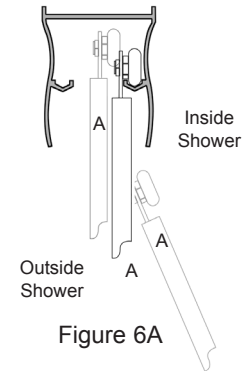


Figure 6A

Second Panel Installation (Outside Door)

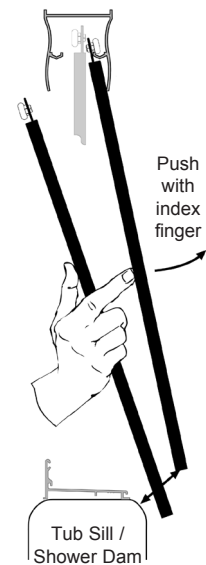


Figure 6B

STEP 9 Adjusting and Aligning the Door Panels

- To ensure that the enclosure is water-tight, the Door Panels (#5, #6) must be correctly aligned. Slide the Inside Framed Door Panel (#6) toward the wall with the shower head. Slide the Outside Framed Door Panel (#5) to the opposite wall. If the Door Panels (#5, #6) are not flush with the Wall Jamb (#3) or are too high off the Curb (#2), the unit could leak while the shower is in use. If the edges of the Door Panels (#5, #6) do not align flush with the Wall Jamb (#3), the Door Panels (#5, #6) need to be adjusted.
- One or more of the Rollers (#11) may need to be adjusted to properly align the Door Panels

(#5, #6). Using a 1/4" Open End Wrench, loosen the #8-32 x 3/8" HWH Screw (#17) securing the Roller (#11) and gently slide the Roller (#11) in either direction until the Door Panels (#5, #6) hang flush with the Wall Jambs (#3). Tighten the screw (See Figure 7).

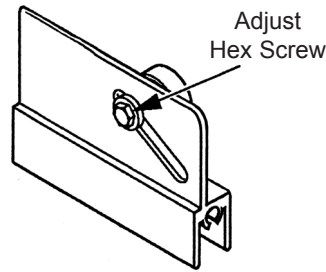


Figure 7

STEP 10 Installing the Towel Bar

- A. Locate the Towel Bar (#14), two Towel Bar Brackets (#15), two #8 x 3/8" FH T/S Type F Screws (#23) and two #6 x 5/16" FH Type F Screws (#24).
- B. To assemble the Towel Bar, insert the Towel Bar Bracket (#15) into the end of the Towel Bar (#14) as illustrated in Figure 8. Take a #6 x 5/16" FH Type F Screw (#24) and lock the Towel Bar Bracket (#15) into place. Repeat these steps for the other side.
- C. Align the Towel Bar Bracket (#15) with the pre-drilled slot in the door Side Rail (#7) of the Outside Framed Door Panel (#5). Use a #8 x 3/8" FH T/S Type F Screw (#23) to secure the Towel Bar Bracket (#15) to the door Side Rail (#7) of the Outside Framed Door Panel (#5) (See Figure 8). Repeat these same steps for the other side.

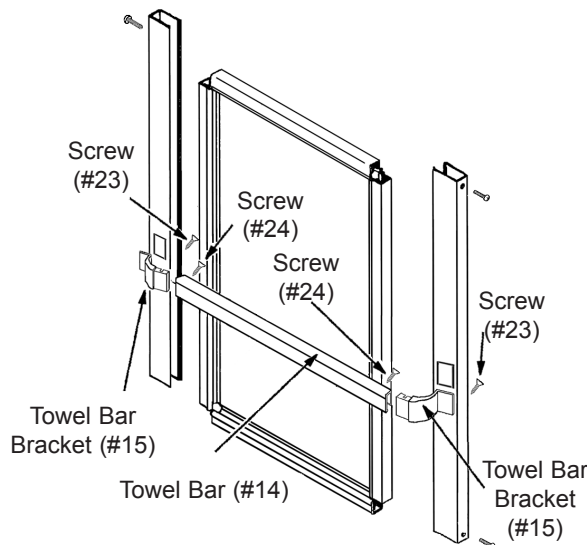


Figure 8

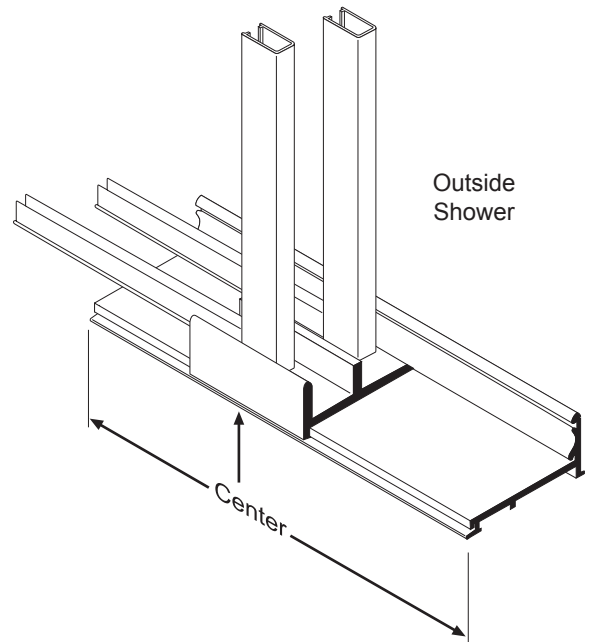


Figure 9A

STEP 11 Installing the Guide

WARNING! DO NOT ATTEMPT TO LOCK THE GUIDE (#4) IN PLACE UNTIL YOU ARE READY TO INSTALL IT! Once the Guide (#4) is in place the shower Door Panels will be **EXTREMELY** difficult to remove and adjusting or removing the Guide (#4) will be nearly impossible.

- A. Locate the Guide (#4). First, make sure that the surface of the Curb (#2) is entirely clean of oil, dust, debris or other contaminants.
- B. With a Tape Measure, measure from Wall Jamb (#3) to Wall Jamb (#3) and, with a Pencil, mark the center point of the Curb (#2) on the inside edge of the Curb (#2) or lightly on the shower sill or tile where it will be visible. Remember, you will want to be able to see the Pencil mark after you insert the Guide (#4) into the groove in the Curb (#2) so that you will know where to center the Guide (#4).

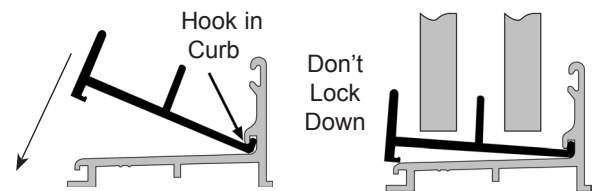


Figure 9B

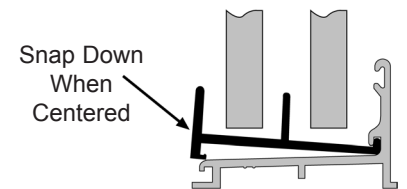


Figure 9C

- C. Slide both Door Panels (#5 and #6) to one side. Peel the paper backing off the two-way tape on the bottom of the Guide (#4). **Without letting the adhesive tape touch the Curb (#2) OR accidentally pressing down or locking the Guide (#4) into place**, carefully insert the front edge of the Guide (#4) into the groove in the Curb (#2) and slide the Guide (#4) under the two Door Panels (#5 and #6) as shown in Figure 9B. Center the Guide (#4) on the pencil mark you made (See Figure 10).
- D. Press the Guide (#4) onto the Curb (#2) and lock it into position by pressing firmly on the back edge of the Guide (#4) as shown in Figure 9C. You should feel it lock into place. If the Guide (#4) doesn't lock into position easily, it may be necessary to press firmly on one end to start the process and work along the back of the Guide (#4) in order to lock it into place.

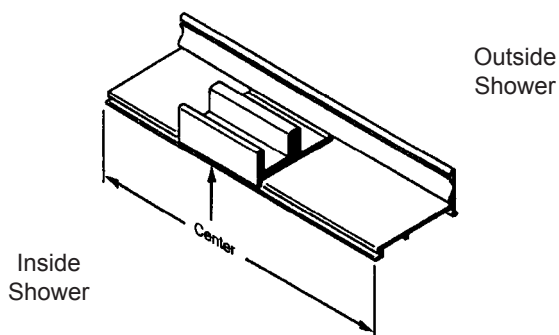


Figure 10


STEP 12 Silicone Sealing the Enclosure

Using rubbing alcohol and a lint-free rag, thoroughly clean the edges of the aluminum enclosure and tiles and at both ends of the Header (#1) at the walls, where the Wall Jamb (#3) meet the tile or fiberglass surfaces and along all edges of the Curb (#2) and sill/dam. When the alcohol has dried, you will have a clean, excellent surface for silicone sealing the enclosure. Use the Caulking Gun with clear Tub/Tile Silicone to seal both ends of the Curb (#2) where it meets the Wall Jamb (#3), along both the interior and exterior edges (horizontal and vertical) and along the interior edges where the Wall Jamb (#3) and Curb (#2) meet with the tile or fiberglass surfaces. It is not necessary to silicone around the Header (#1).

NOTE: Silicone sealant must cure for 24 hours before you use your new enclosure. Silicones may vary. Please follow curing instructions on the tube.

STEP 13 Cleaning and Removing the Door Panels

The enclosure Door Panels (#5 and #6) are not designed to be removed once they are installed. However, inconvenient areas that you may want to clean, such as the overlap between the doors, can still be reached for cleaning.

- Carefully remove all the hardware from door. This will enable you to slide the glass Panels (#5 and #6) in either direction to clean the entire Panel thoroughly.
- Clean the glass with a mild, non-abrasive cleaner designed for glass such as  Mirror & Glass Cleaner.
- Re-install the hardware when you are finished.

CAUTION: Removing one or both of the Panels (#5 and #6) should NOT be attempted without assistance. Always wear Safety Goggles and Gloves when handling the glass Panels (#5 and #6). Read through the following instructions first to familiarize yourself before proceeding.

Should it become necessary to remove one or both of the Panels IT WILL REQUIRE TWO PEOPLE TO DO THIS.

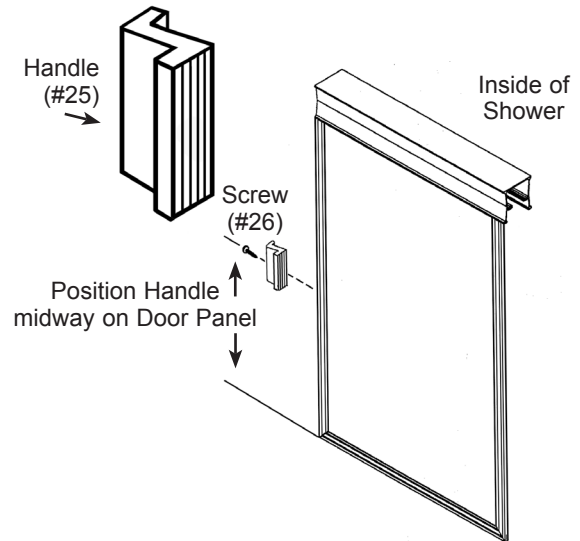
- If you applied Silicone Caulking around the Header (#1), carefully remove it by cutting through the Silicone with a Razor Blade. Use care when cutting through the Silicone so that you do not scratch or mar the extrusion.
- Slide both Panels (#5 and #6) to one side. Now you need to release the Header (#1) from the Wall Jamb (#3). At the opposite side (from the Panels), loosen the Header (#1) from the Wall Jamb (#3). Spread the Header (#1) open to release it from the locking grooves on the Wall Jamb (#3) and, at the same time, lifting it slightly in the air. When the Header (#1) is free, set it back on top of the Wall Jamb (#3).
- Now carefully slide both Panels (#5 and #6) toward the end you have released from the Wall Jamb (#3) and have the second person hold the Panels (#5 and #6) in place while you repeat Step 13-E to release the other side of the Header (#1) from the Wall Jamb (#3).

- G. With the Header (#1) free from both Wall Jambs (#3) and the Panels (#5 and #6) hanging in the Header (#1), you should now be able to lift out one or both Panels (#5 and #6) from the Guide (#4) and disengage them from the Header (#1).
- H. As an alternative to taking out one Panel at a time and having to remove the hardware from each Panel, you might try this: With the Header (#1) free from both Wall Jambs (#3), slide the Panels (#5 and #6) to the center. Each person holds the Header with one hand next to the Panels (#5 and #6) to keep them from sliding and the other hand at the end of the Header (#1).
- I. With the Panels (#5 and #6) secured so they won't slide, lift the Header (#1) with hanging Panels (#5 and #6) up and out of the shower enclosure. Carefully lay the Panels (#5 and #6) on the floor while still in the Header (#1).
- J. To re-install the Door Panels (#5 and #6), reverse the process described above, hanging the Panels (#5 and #6) in the Header (#1) and re-attach the Header (#1) onto the Wall Jambs (#3).

Optional Door Handle

Installing the Optional Door Handle

Please note that the Door Handle (#25) is not necessary. This can be used as another handle to enter the enclosure. Once installed the Door Panels will not bi-pass one another.



- A. Locate the Handle (#25) and the #6 x 3/8" Screw (#26).
- B. Standing on the outside of the enclosure, with the curved part of the Handle (#25) facing towards you, position the Handle (#25) midway on the frame of the Inside Framed Door Panel (#6) (as measured from the bottom of the Panel), on the edge nearest the Wall Jamb (#3) near the shower head. Use a #6 x 3/8" Screw (#26) to attach the Handle (#25) to the Side Rail (#7) of the Inside Framed Door Panel (#6).

WARNING

Make sure not to drill into the Side Rail (#7) before attaching the screw. Drilling directly into the Side Rail (#7) could potentially cause the glass Panel to explode. The screw will safely drill through the Handle (#25) and into the Side Rail (#7).

Thank you for purchasing a  Shower Enclosure. If you like this product, we invite you to visit our website at www.CwDoor.com for more information about our extensive line of other Shower Enclosures, Room Partitions and Loft Dividers, Cabinet Doors, and Wardrobe Doors. They feature Duratuf® Tempered Safety Glass, Painted Glass, CwShield™ Protective Coating and Duraflect® Copper-Free Mirror.