

Model 5000H

Illustrated Installation

Instructions

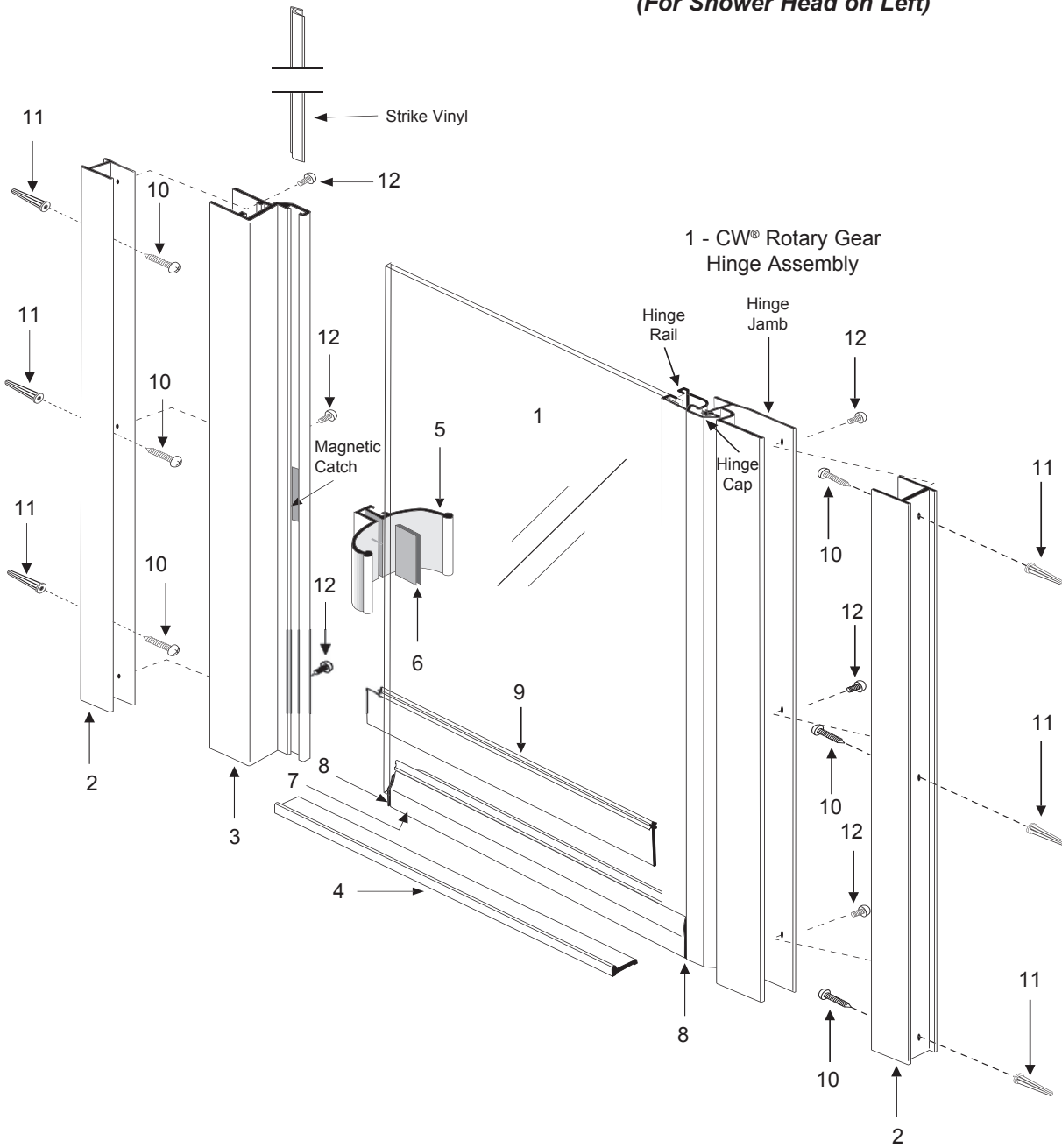


Shower Doors

DESIGNERS • MANUFACTURERS
26121 Avenue Hall • Valencia, CA 91355
(661) 257-1177 • Fax (661) 257-4907
Or visit our website at: www.cwdoor.com

Illustrated Parts Breakdown (IPB) Drawing Model #5000H

(For Shower Head on Left)



No. QTY PART #
#1 1 5H-RGHA

#2 2 A7070
#3 1 A7065

#4 1 A7110
#5 1 HSA51
#6 1 G3050
#7 1 A7285

PART DESCRIPTION

Frameless Glass Door (Drip Rail and end caps are attached) with CW® Rotary Gear Hinge Assembly
Slip Jamb Male
Slip Jamb Female with Magnetic Catch and Strike Gasket
Dam Strip
Handle - #5000
Handle Gasket - #5000
Drip Rail - #5000

No. QTY PART #
#8 2 C1070G Gold
C1070C Silver
C1070W White
#9 1 G3020
#10 6 S82060 Gold
S82065 Silver
#11 6 S0170
#12 6 S81010 Gold
S81015 Silver

PART DESCRIPTION

End Cap - #5000
Drip Rail Gasket - #5000
#8 x 1 1/2" PH SMS Screw
Screw Anchor
#6 x 1/4" "B"-Point Screw

In this instruction booklet we will walk you through the installation of your new shower door.

DO NOT REMOVE your existing shower door until you check your new shower door kit for all the proper parts.

Make sure that you have all the proper tools required to assemble your new shower door. Use this check list.




Tools you will need:

- Phillips screwdriver
- Level
- Electric drill
- 1/8" Drill Bit (for fiberglass stall)
- 3/16" Masonry Drill Bit (for tile stall)
- 7/64" Drill Bit
- Pencil
- Hammer
- Caulking gun and one tube of Clear Tub/Tile Silicone
- Tape Measure
- Safety Glasses

CAUTION: Wear safety glasses whenever drilling or cutting. Handle the frameless glass panel carefully. The corners of the panel can damage tile and floor covering. Tempered glass cannot be cut. Do NOT let the corners of the frameless Door Panel strike any hard surface, wall or floor. Even tempered glass may be shattered in this manner.

STEP 1 Checking Contents of Shower Door Package

DO NOT use a razor blade to cut open the paper wrapping as you may scratch the contents. Use the IPB Drawing to help you locate the following parts:

No.	Qty.	Description
(#1)	1	Frameless Glass Door (Drip Rail and end caps are attached with CW® Rotary Gear Hinge Assembly)
(#2)	2	Slip Jamb Male
(#3)	1	Slip Jamb Female with Magnetic Catch and Strike Vinyl
(#4)	1	Dam Strip
(#5)	1	Handle - #5000
(#6)	1	Handle Gasket - #5000
(#9)	1	Drip Rail Gasket - #5000
(#10)	6	#8 x 1 1/2" PH SMS Screws 
(#11)	6	Screw Anchors 
(#12)	6	#6 x 1/4" "B"-Point Screws 

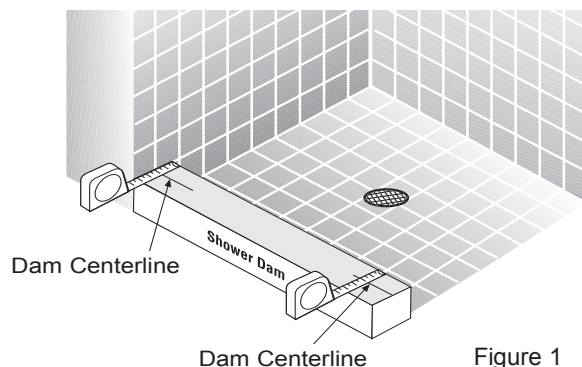
If you find that any parts are damaged or missing, refer to the parts list and IPB Drawing and contact Contractors Wardrobe®'s Customer Service Department at 661-257-1177. NOTE: Views and directions given in these instructions — left, right, front, back, etc. — are from outside of the enclosure, facing the shower.

STEP 2 Removing the Existing Enclosure

- A. Remove existing shower door and all existing parts to that door assembly. Remove all screw anchors from the wall. Clean silicone sealant or tub caulking and any other contaminants from tub and wall.

STEP 3 Installing The Slip Jamb Males

NOTE: The wall opposite the shower head and controls will be the hinge side. Some situations may require the door to hinge on the same side as the shower head and controls.



- A. Using the Tape Measure, find the center of the shower dam. Make a mark where the center is at both ends of the dam. (See Figure 1).
- B. Locate the two Slip Jamb Males (#2) and six #8 x 1 1/2" PH SMS Screws (#10).
- C. Place a Slip Jamb Male (#2) at the centerline mark on the shower dam on the left wall (See Figure 2). Use the level to align the Slip Jamb Male (#2) straight up and down. Use the pencil tip in each of the pre-drilled holes in the Slip Jamb Male (#2) to mark the wall. Set the Slip Jamb Male (#2) aside.
- D. Using either a 1/8" drill bit (for a fiberglass enclosure) or a 3/16" Masonry Drill Bit (for tile/marble) drill holes where you made the pencil marks. If installing in a tile/marble enclosure, gently

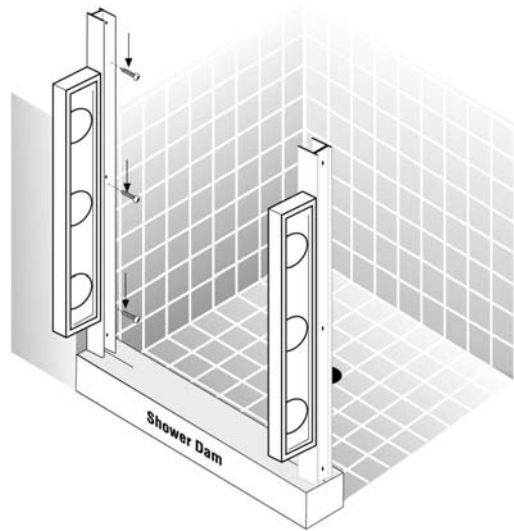


Figure 2

tap a Screw Anchor (#11) into each hole. **DO NOT use the Screw Anchors (#11) for a fiberglass enclosure.**

- E. Position the Slip Jamb Male (#2) over the holes and use three #8 x 1 1/2" PH SMS Screws (#10) to secure the Slip Jamb Male (#2) to the wall.
- F. Repeat steps 3B-3E to install the other Slip Jamb Male (#2) on the opposite wall (See Figure 2).

STEP 4 Installing the Slip Jamb Female

- A. Locate the Slip Jamb Female (#3) (Comes with Strike Vinyl and Magnetic Catch pre-installed) and three #6 x 1/4" "B"-Point Screws (#12).

- B. Place the Slip Jamb Female (#3) over the Slip Jamb Male (#2) on the same side as the shower head with the Magnetic Catch and Strike Vinyl facing **OUT**, towards you as you look into the shower (See Figures 3 and 4). Use the Level to adjust the Slip Jamb Female (#3) vertically. **DO NOT** secure at this time.

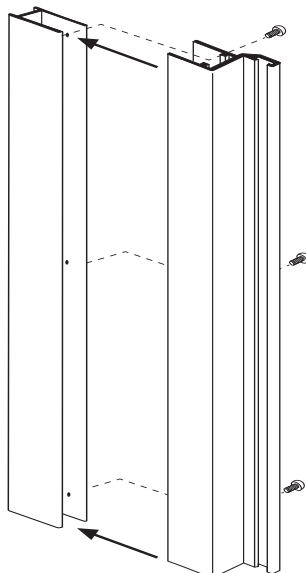
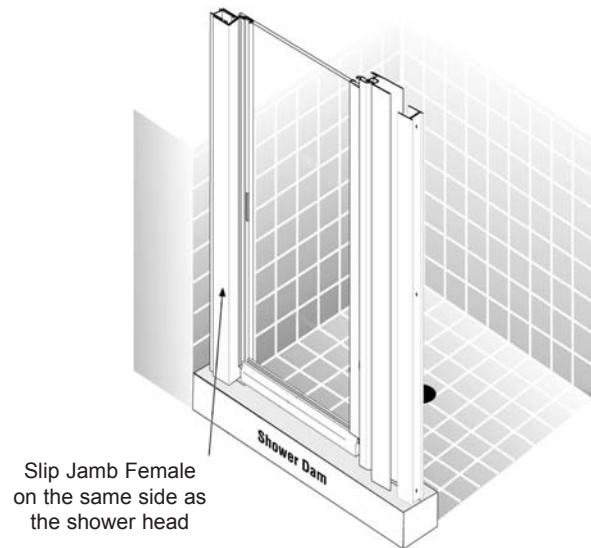


Figure 3

STEP 5



Slip Jamb Female on the same side as the shower head

Figure 4

Installing the Door

NOTE: Installing the Door may be slightly easier with another person to assist you.

- A. Locate the Frameless Glass Door Panel (#1) with attached CW® Rotary Gear Hinge Assembly (#1) and three #6 x 1/4" "B"-Point Screws (#12).
- B. The Frameless Glass Door Panel (#1) will install over the Slip Jamb Male (#2) on the wall opposite the shower head. Make sure that the hinge cap of the CW® Rotary Gear Hinge Assembly (#1) faces out of the shower enclosure as shown in Figure 5.

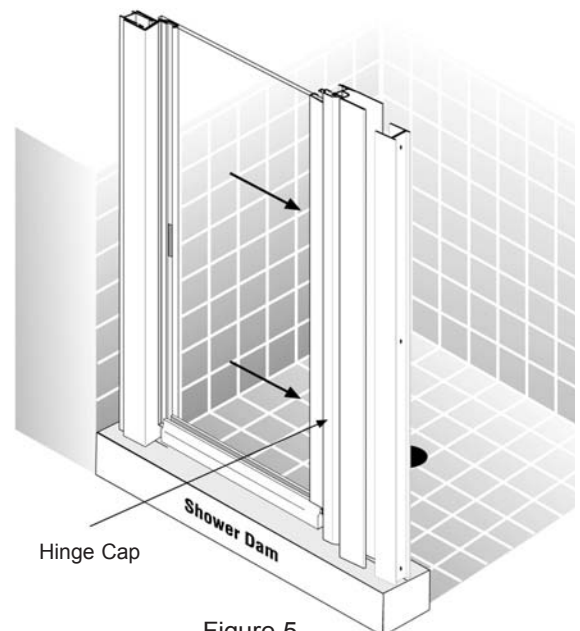
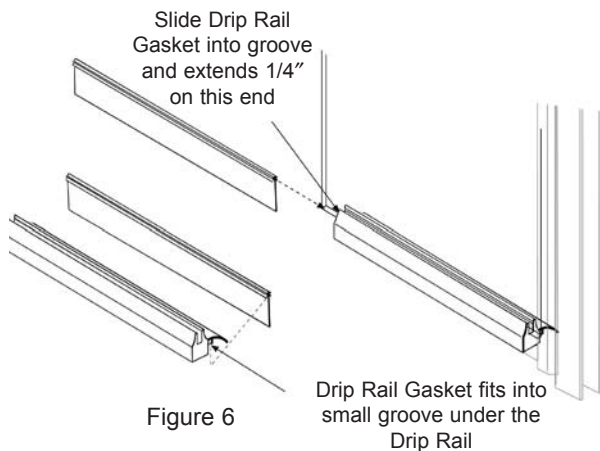


Figure 5

- C. Carefully lift the door and slide the hinge jamb portion of the CW® Rotary Gear Hinge Assembly (#1) over the Slip Jamb Male (#2) (See Figure 5).
- D. Adjust the position of the CW® Rotary Gear Hinge Assembly (#1) on the Slip Jamb Male (#2) until there is a 1/8" gap along the entire length of the door on the strike side.
- E. Standing inside the shower, use the 7/64" Drill Bit to drill a hole 6" down from the top of the hinge jamb of the CW® Rotary Gear Hinge Assembly (#1) through both Slip Jamb. Drill another hole 6" up from the bottom and also one in the middle. Secure the CW® Rotary Gear Hinge Assembly (#1) to the Slip Jamb Male (#2) with the three #6 x 1/4" "B"-Point Screws (#12) (See Figure 5).
- F. Using the 7/64" Drill Bit, drill a hole 6" down from the top of the Slip Jamb Female (#3) through both Slip Jamb. Drill another hole 6" up from the bottom and also one in the middle. Secure the Slip Jamb Female (#3) to the Slip Jamb Male (#2) with three #6 x 1/4" "B"-Point Screws (#12) (See Figure 3).

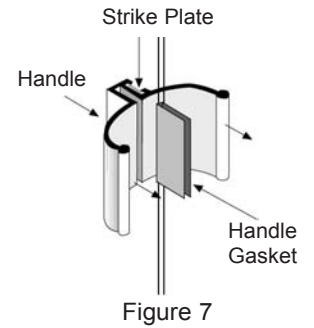
STEP 6 Installing the Drip Rail Gasket

- A. Locate the Drip Rail Gasket (#9).
- B. Fit the "star" end of the Drip Rail Gasket (#9) into the groove under the rail portion of the Drip Rail (#7) and slide it gently through the groove until 1/4" extends on the strike side of the door and approximately 1" of the Drip Rail Gasket (#9) extends on the CW® Rotary Gear Hinge Assembly (#1) side (See Figure 6).
- C. Cut the Drip Rail Gasket (#9) to the specified length.



STEP 7 Installing the Handle

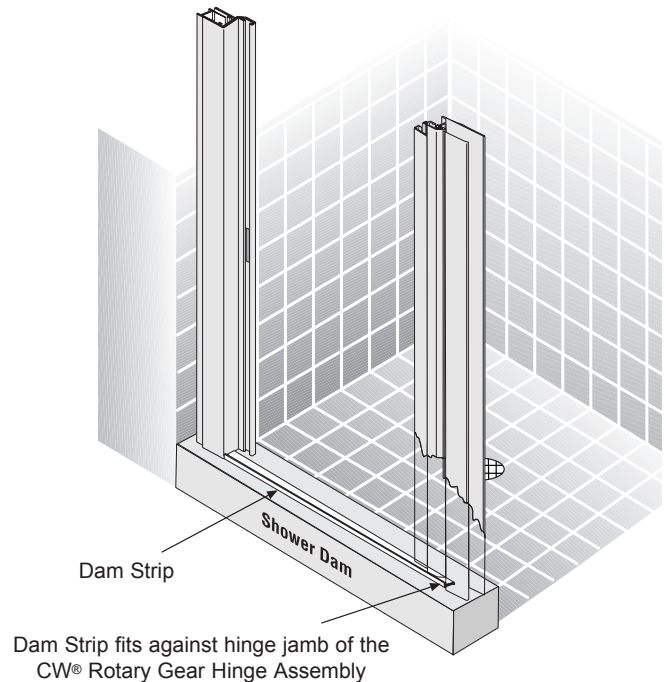
- A. Locate the Handle (#5) and Handle Gasket (#6).
- B. Position the Handle Gasket (#6) midway on the Door Panel (#1), wrapping it around the edge of the Door as shown in Figure 7. The Handle (#5) with its magnetic catch should center on the magnetic latch in the Slip Jamb Female (#3).
- C. Hold the Handle (#5) so that the strike plate is facing *into* the shower. Flex the Handle (#5) slightly as you press the Handle (#5) over the Handle Gasket (#6) (See Figure 7).



- TIP:** To make sliding the Handle (#5) onto the door a little easier, try rubbing a little hand soap on the leading edge of the Handle Gasket (#6).

STEP 8 Installing the Dam Strip

- A. Locate the Dam Strip (#4). Do not remove the backing from the two-way tape on the Dam Strip (#4).
- B. Measure and fit the Dam Strip (#4) between the Slip Jamb Female (#3) and the hinge jamb of the CW® Rotary Gear Hinge Assembly (#1). Cut



the Dam Strip (#4) straight to fit in between both the Slip Jamb Female (#3) and the hinge jamb of the CW® Rotary Gear Hinge Assembly (#1) (See Figure 8).

- C. Make sure that the top surface of the shower dam is completely clean of oil, dust, debris or other contaminants. Peel off the backing on the adhesive tape on the bottom of the Dam Strip (#4) and press it into place on top of the shower dam.

STEP 9 Silicone Sealing the Enclosure

Using clear Tub/Tile Silicone, seal all edges, both interior and exterior where the Slip Jamb Male (#2), Slip Jamb Female (#3), bottom of the CW® Rotary Gear Hinge Assembly (#1) and Dam Strip (#4) meet and where they meet the tile or fiberglass.

NOTE: Silicone sealant must cure for 24 hours before you use your new enclosure. Silicones may vary. Please follow curing instructions on the tube.

STEP 10 Cleaning the Door Panels and Shower Unit

Clean the glass and enclosure hardware with a mild, non-abrasive cleaner designed for glass such as CW® Mirror & Glass Cleaner. Avoid using scouring cleansers as this will scratch and mar the beautiful finish on the enclosure.

Thank you for purchasing a CW® Shower Enclosure. This is only one of a large line of shower enclosures and high quality wardrobe door products. If you like this product, please contact Contractors Wardrobe® for more information about our many beautiful wardrobe doors in bi-pass and bi-fold styles with steel, aluminum and hardwood frames.