

# ***Installation Instructions***

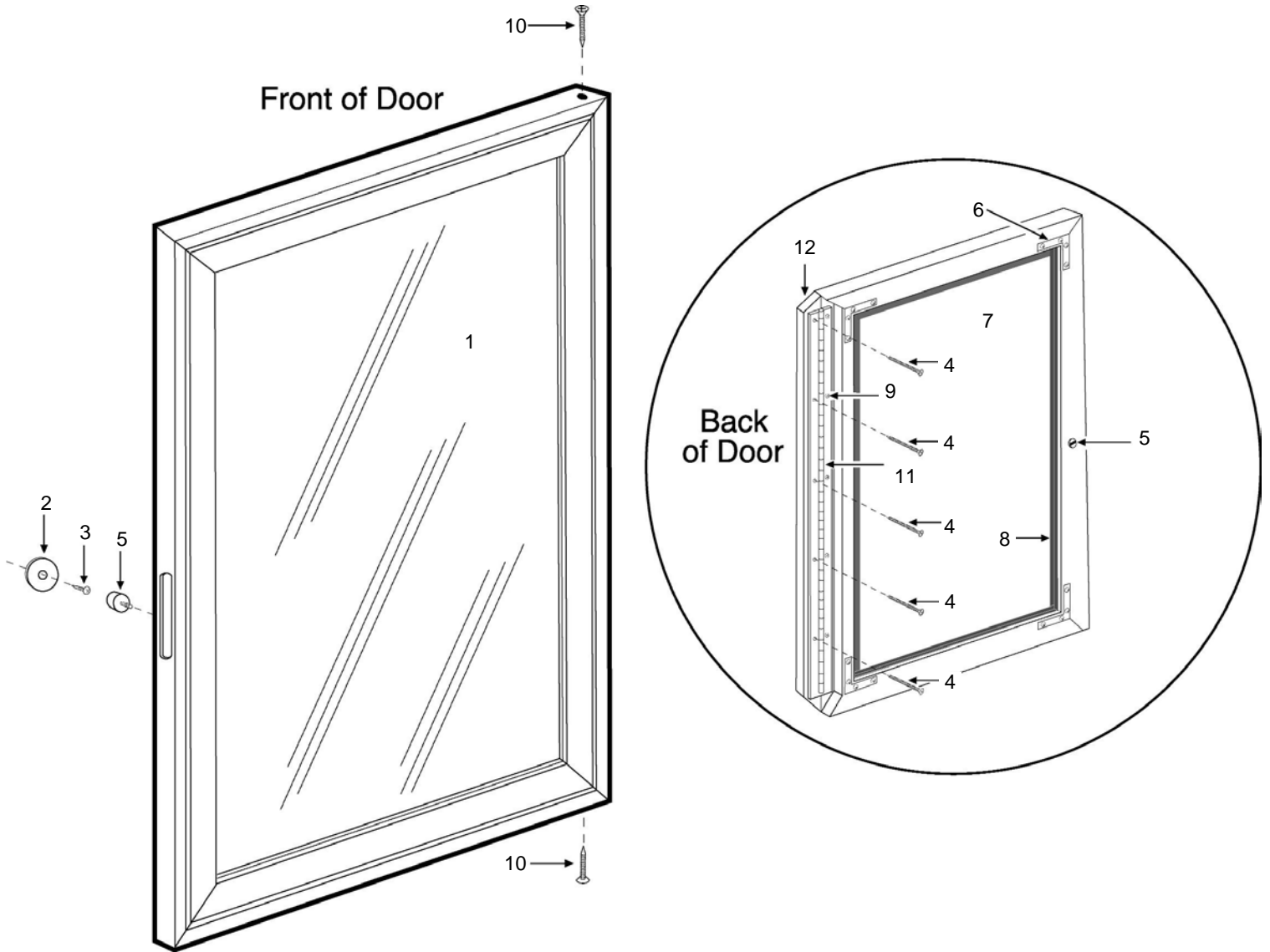
## ***Model Oak Fantasy® Walk-In Door***



**Contractors Wardrobe®**

DESIGNERS • MANUFACTURERS • TOLL FREE: (800) CW-DOORS • (800) 293-6677 • [www.cwdoor.com](http://www.cwdoor.com)  
26121 Avenue Hall • Valencia, CA 91355 • (661) 257-1177 • FAX: (661) 257-4907

# Illustrated Parts Breakdown (IPB) Model Oak Fantasy® Walk-In Door






No.	QTY	PART #	PART DESCRIPTION
#1	1		Oak Framed Mirrored Wardrobe Door with Hinge Assembly
#2	1	S0240	Strike Washer
#3	1	S0087	#6 x 1/2 Screw
#4	5	S0110	#8 x 2-1/4 Installation Screw
#5	1	C1000	Magnetic Catch
#6	4	B1000	Corner Bracket

No.	QTY	PART #	PART DESCRIPTION
#7	1	B002478	Vinyl Board
#8	16 LF	G7070	"L" Plastic
#9	58	S0120	#6 x 3/8 Flat Head Screw
#10	2	S0088	#8 x 1-3/4 Screw
#11	1	H6060	Piano Hinge
#12	1		Oak Mounting Strip

Congratulations on purchasing your new CW® Wardrobe Door. Now that you have opened the package, we want you to verify that you have all the necessary hardware supplied with your doors.

### **PARTS CHECK LIST:**

No.	Qty.	Description
(#1)	1	Oak Framed Mirrored Wardrobe Door with Hinge Assembly
(#2)	1	Strike Washer 
(#3)	1	#6 x 1/2 Screw 
(#4)	5	#8 x 2-1/4 Installation Screw 

If you find that any parts are damaged or missing, refer to the parts list and the IPB Drawing and contact your dealer for replacement.

### **TOOL CHECK LIST:**

You will need:

- Phillips Screwdriver
- Level
- Electric Drill plus 1/8 and 7/64 Drill Bits
- Pencil
- Hammer and Nail
- Two (2) Wood Blocks 1/2 - 3/4 thick
- Two (2) Shims approximately 1/8 thick
- Five (5) Molly Bolts (See **“IMPORTANT”** paragraph below)

**NOTE:** The Wood Blocks are used to support the Wardrobe Door (#1) during installation. To determine the size of these Wood Blocks, see **Step 3: Determining Door Clearance.**

**IMPORTANT:** The Wardrobe Door (#1) should be installed so that the Installation Screws (#4) go into wall studs. If the installation requires you to install the Wardrobe Door (#1) onto drywall only, we *strongly* recommend that you use **toggle or “molly” bolts** (not supplied) for this installation.

**Read instructions before beginning installation.**

## **Step 1 Removing the Existing Door and Door Trim/Molding**

Remove the existing door and all existing hardware from the Wall. If you prefer, the wardrobe door *can* be installed over any existing flat wall or trim. However, we recommend that you remove the existing door opening trim/molding so that the Wardrobe Door (#1) will install on the flat wall/framing. This may require paint touch-up where you have removed the door trim.

## **Step 2 Determining the Hinge Side**

Decide which side you want the door to open from: left or right. Our illustrations show how to install the Wardrobe Door (#1) to open on the left, with the Piano Hinge (#11) and Oak Mounting Strip (#12) on the right (See Figure 3).

## **Step 3 Determining Door Clearance**

- A. Locate two Wood Blocks whose dimensions will raise the Wardrobe Door (#1) 1/2 - 3/4 off the floor surface or carpet (See Figure 1). It will also be helpful to have on hand a few thin wood strips or “shims” in case you need to adjust the height and alignment of the Wardrobe Door (#1) as you go.

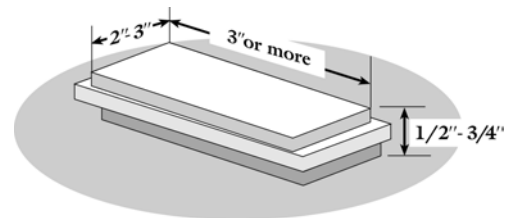


Figure 1

- B. Set the Wood Blocks as shown in Figure 2, with the Wood Blocks positioned in the doorway so that the Wardrobe Door (#1) can set securely on them.

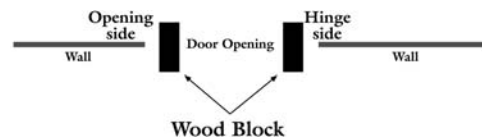


Figure 2

- C. Lift the Wardrobe Door (#1) so that the mirror front is *facing* you and the Piano Hinge (#11) is on your right. Set the Wardrobe Door (#1) on the Wood Blocks with the Oak Mounting Strip (#12) touching the wall and the Wardrobe Door (#1) supported on the Wood Blocks (See Figure 3). The Wardrobe Door (#1) and Oak Mounting Strip (#12) should be flush to the wall. The door must cover the opening.
- D. Refer to Figure 3. Use the Level to align the Wardrobe Door (#1) and Oak Mounting Strip (#12) plumb, straight up and down. The “shims” may come in handy for this purpose.

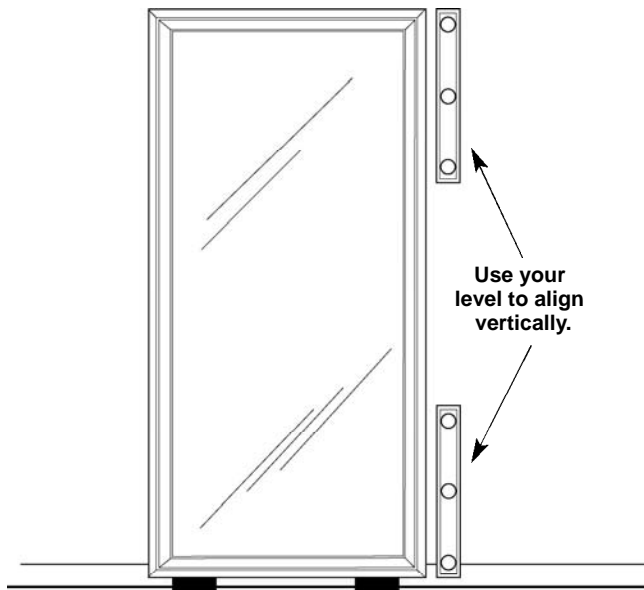


Figure 3

## Step 4 Installing the Door

- Locate the five #8 x 2-1/4 Installation Screws (#4), your Drill and Screwdriver.
- While holding the Wardrobe Door (#1), open the Wardrobe Door (#1) completely. Move the set blocks to support the Wardrobe Door (#1) until the door is fastened to the wall. See Figure 4. Use the Level against the Oak Mounting Strip (#12) to check the plumb. Add or delete shims if necessary.

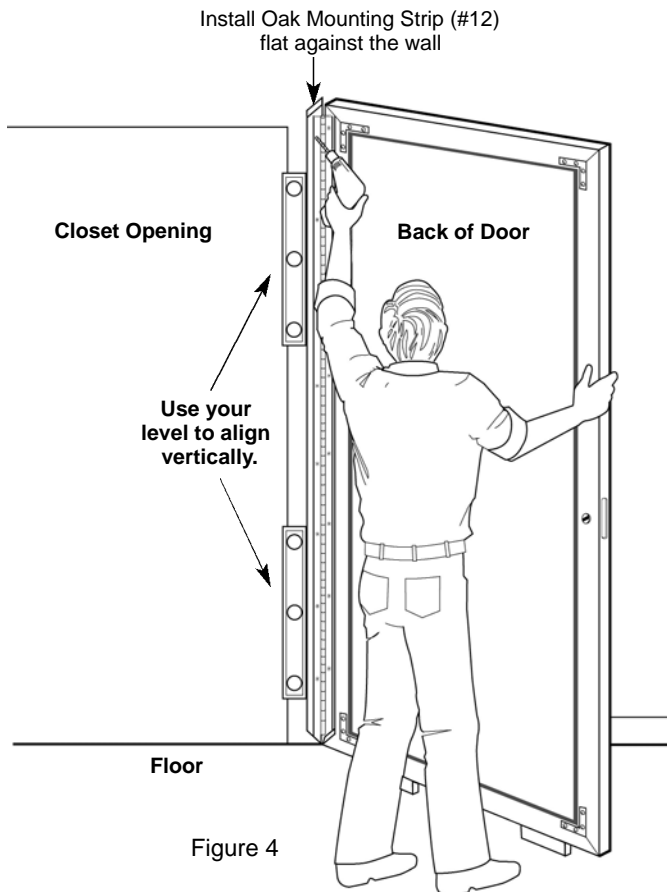


Figure 4

- Hold the Wardrobe Door (#1) in place with one hand while you complete the next step. Using a 1/8 Drill Bit, carefully use the pre-drilled hole at the **TOP** of the Oak Mounting Strip (#12) and drill through the hole and into the door frame studs. Remember, you want to be securing the Wardrobe Door (#1) to a wall stud. If you are not able to install the Wardrobe Door (#1) into a stud, please use toggle or "molly" bolts (not supplied) in place of the #8 x 2-1/4 Installation Screw (#4). Use one #8 x 2-1/4 Installation Screw (#4) and a Phillips Screwdriver to secure the Wardrobe Door (#1) to the wall. **DO NOT** tighten the #8 x 2-1/4 Installation Screw (#4) completely at this time.

**NOTE:** Wardrobe Door (#1) will need to be in an open position to install screws into Oak Mounting Strip (#12).

- Next, use the Level to check plumb again. In the bottom-most pre-drilled screw hole, use the 1/8 Drill Bit and carefully drill through the door framing. Use another #8 x 2-1/4 Installation Screw (#4) to secure the Wardrobe Door (#1) to the wall.
- Use the remaining #8 x 2-1/4 Installation Screws (#4) to finish securing the Wardrobe Door (#1) to the wall. Firmly tighten all five #8 x 2-1/4 Installation Screws (#4).

## Step 5 Installing the Door Strike

- Installing Strike Washer (#2) and #6 x 1/2 Screw (#3) to door. Place #6 x 1/2 Screw (#3) inside Strike Washer (#2) and place onto Magnetic Catch (#5) built inside door. Close door with screw facing into wall. This will mark where your #6 x 1/2 Screw (#3) and Strike Washer (#2) will need to go. Remove from door Magnetic Catch (#5) and install #6 x 1/2 Screw (#3) and Strike Washer (#2) where mark is on the wall. Your Oak Fantasy® Walk-In Door installation is complete.

**NOTE:** Magnetic Catch (#5) inside of the door frame can adjust in or out. By turning Magnetic Catch (#5), for the correct wall distance for a tight fit to wall.

Thank you for purchasing a CW® Wardrobe Door. This is only one of a large line of wardrobe doors and high quality bath enclosure products. If you like this product, please contact Contractors Wardrobe® for more information about our many beautiful bath enclosures available in a vast array of colors and finishes to suit your designing needs.