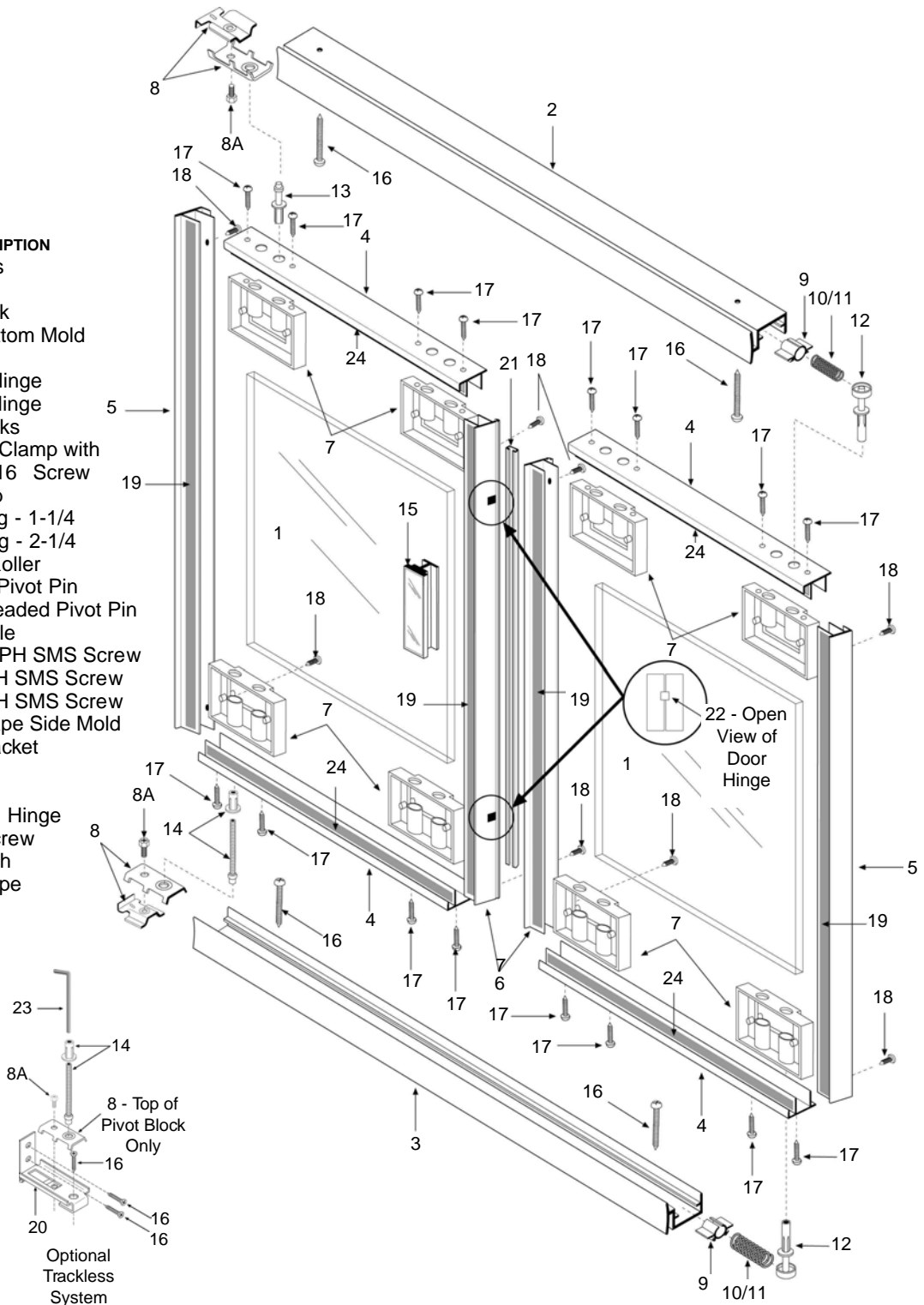


Installation Instructions

Model Trim Line® Bi-Fold

Illustrated Parts Breakdown (IPB)

No.	QTY	PART #	PART DESCRIPTION
1	2		Door Panels
2	1	A2040*	Top Track
3	1	A2040*	Bottom Track
4	4	A4350	Top and Bottom Mold
5	2	A4300	Side Mold
6	1	H5810 Right	Side Mold Hinge
	1	H5820 Left	Side Mold Hinge
7	8	C2050	Corner Blocks
8	2	P2000	Pivot Block Clamp with
8A	2		#10-32 x 7/16 Screw
9	2	C2030	Tension Clip
10	2	S0200	Small Spring - 1-1/4
11	2	S0205	Large Spring - 2-1/4
12	2	G0300	Guide Pin Roller
13	1	P2060	Top Spring Pivot Pin
14	1	P2050	Bottom Threaded Pivot Pin
15	1	A9200	Mirror Handle
16	5	S0095	#8 x 1-1/2 PH SMS Screw
17	16	S0130	#6 x 3/4 PH SMS Screw
18	8	S0055	#8 x 1/2 PH SMS Screw
19	4	T0100	Two-Way Tape Side Mold
20	1	P2010	Pivot "L" Bracket
21	1	A5800MF	Hinge Cap
22	1	H6000	Hinge Lock
22a	1	SO190	Lock Set Screw
23	1	W8010	Allen Wrench
24	4	TO125	Two-Way Tape Top Mold

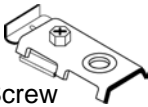



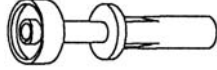
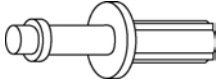
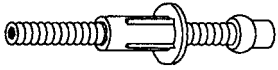
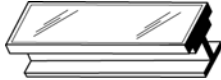

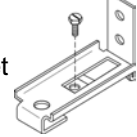



Contractors Wardrobe®

DESIGNERS • MANUFACTURERS • TOLL FREE: (800) CW-DOORS • (800) 293-6677 • www.cwdoor.com
 26121 Avenue Hall • Valencia, CA 91355 • (661) 257-1177 • FAX: (661) 257-4907

Congratulations on purchasing your new CW® Bi-Fold Wardrobe Door. Now that you have opened the package, we want you to verify that you have all the necessary hardware supplied with your doors.

PARTS CHECK LIST:

No.	QTY	DESCRIPTION	
(#1)	2	Mirrored Glass Panels	
(#2)	1	Top Track	
(#3)	1	Bottom Track	
(#8)	2	Pivot Block Clamp with #10-32 x 7/16 Machine Screw	
(#9)	2	Tension Clip	
(#10)	2	Small Spring	
(#11)	2	Large Spring	
(#12)	2	Guide Pin Roller	
(#13)	1	Top Spring Pivot Pin	
(#14)	1	Bottom Threaded Pivot Pin	
(#15)	1	Mirror Handle	
(#16)	5	#8 x 1-1/2 PH SMS Screw	
(#20)	1	Pivot "L" Bracket	
(#23)	1	Allen Wrench	

TOOL CHECK LIST:

You will need:

- Phillips Screwdriver
- Tape Measure
- Level or Plumb Bob
- Pencil
- 3/8 Drill Motor and 3/16 and 1/8 Drill Bits
- Miter Box and Hacksaw
- Square
- Hammer

- Four 1 Screws and Screw Anchors (For Ceramic Tile Floors only. See Floor Check List #5)
- Adhesive (For Ceramic Tile Floors only. See Floor Check List #5)

FLOOR CHECK LIST

1. Do you have carpet?

It is highly recommended that if you have carpet and do not have a cut-out in the carpet already, you should cut the carpet in order to install the Bottom Track (#3). If you use the optional Bottom Trackless System, cut hole in carpet to accommodate the Pivot "L" Bracket (#20). We do not recommend installing the Bottom Track (#3) directly on top of carpet.

2. Do you have a concrete, wood floor or ceramic tile floor?

- If it is a concrete floor, go to 3...
- If it is a wood floor, go to 4...
- If it is a ceramic tile floor, go to 5...

3. If you have a concrete floor you will: Drill holes with a 3/16 Masonry Drill Bit. Insert Screw Anchors and attach Bottom Track (#3) to floor with screws or you may glue the Bottom Track (#3) to concrete floor with panel Adhesive (Drill Bit, Screws, Screw Anchors and Adhesive NOT supplied).

4. If you have a wood floor you will: Use the #8 x 1-1/2 Screws (#16) to attach the Bottom Track (#3) to the wood floor.

5. If you have a ceramic tile floor you will: Drill holes with a 3/16 Masonry Drill Bit. Insert Screw Anchors and attach Bottom Track (#3) to floor with Screws. Or, you may glue the Bottom Track (#3) to the ceramic tile floor with panel Adhesive. (Drill Bit, Screws, Screw Anchors and Adhesive are not supplied.)

INSTALLING THE BI-FOLD WARDROBE DOORS

STEP 1 Removing the Existing Wardrobe Doors

Remove existing doors, brackets, top track and bottom track.

STEP 2 Installing the Top Track

NOTE: If you ordered a two-panel set, one long track is supplied. You will cut this track in half, per your measurements, to yield the Top Track (#2) and Bottom Track (#3).

If you have a four-panel set, you will find two boxes.

In each box there are two panels and one track and hardware package. Use one track for the Top Track (#2) and the other for the Bottom Track (#3).

- A. Measure the opening at the top of the closet from wall to wall.
- B. Cut the Top Track (#2) to this dimension. When cutting the Top Track (#2) we recommend that you use a Miter Box and Hacksaw for a straight cut.
- C. Hold the cut Top Track (#2) along the top of the closet opening and flush with the outside edge of the opening (See Figure 1A). With the Top Track (#2) in place, use your Pencil to mark the position of the pre-drilled holes in the Top Track (#2). Set the Top Track (#2) aside while you complete the next step.

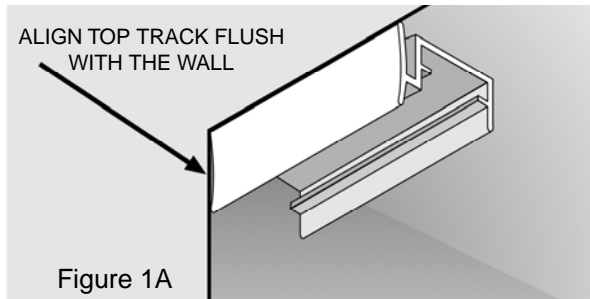


Figure 1A

- D. Drill holes using 1/8 Drill Bit where you made the pencil marks.
- E. Locate the Tension Clip (#9) and a Spring (#10/#11). The Small Spring (#10) is used for a two-panel set of doors, and the Large Spring (#11) is used for a four-panel set of doors. Insert the Spring (#10/#11) into the Tension Clip (#9). Now slide the Tension Clip (#9) and the Spring (#10/#11) into the Top Track (#2) (See IPB Drawing Page 1). If you are installing two panels, the Tension Clip (#9) and the Small Spring (#10) will be next to the wall and the Guide Pin Roller (#12) pushed against them. If you are installing four panels in the same closet opening, the Tension Clip (#9) and the Large Spring (#11) are in the center of the Top Track (#2). In either case, the Guide Pin Roller (#12) pushes against the spring which makes the tension that makes the panels stay closed.

- F. Locate the Pivot Block Clamp (#8) in the hardware bag. Loosen the #10-32 x 7/16 Screw (#8A) in the Pivot Block Clamp (#8) and slide the Pivot Block Clamp (#8) into the Top Track (#2) on the side where the door will pivot (See Figure 1B).

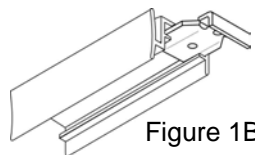


Figure 1B

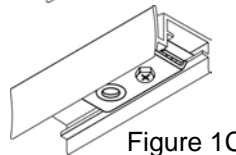


Figure 1C

Position the Pivot Block Clamp (#8) 1/2 to 3/4 in from the end of the Top Track (#2) (See Figure 1C). If you are installing a four-panel set, place a Pivot Block Clamp (#8) at both ends of the Top Track (#2).

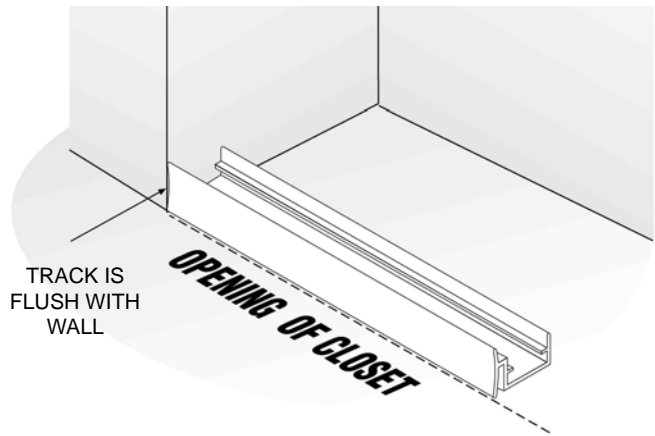


Figure 2A

- G. Complete installation of the Top Track (#2) by repositioning it at the top of the closet opening and using #8 x 1-1/2 PH SMS Screws (#16) to secure it in place.

STEP 3 Installing the Bottom Track

NOTE: If you ordered a two-panel set, one long track is supplied. You will cut this track in half, per your measurements, to yield the Top Track (#2) and Bottom Track (#3).

If you have a four-panel set, you will find two boxes. In each box there are two panels and one track and hardware package. Use one track for the Top Track (#2) and the other for the Bottom Track (#3).

- A. Make sure that you have used the FLOOR CHECK LIST to determine which floor type you have and installation you will use.

NOTE: If you do not want to use a Bottom Track (#3) or prefer to not cut the carpet, see **Step 4: Installing the Optional Bottom Trackless System.**

- B. Measure inside bottom closet opening from wall to wall.
- C. Using the Miter Box and Hacksaw, cut the Bottom Track (#3) to this dimension.
- D. Place the Bottom Track (#3) at the bottom of the closet opening, flush with the edge of the closet opening and outer walls (See Figure 2A). Holding the Bottom Track (#3) in place, with your Pencil mark the position of the pre-drilled holes.
- E. Set the Bottom Track (#3) aside and, according to the type of floor you have, drill holes where you made the pencil marks.

F. Locate the Tension Clip (#9) and a Spring (#10/#11). The Small Spring (#10) is used for a two-panel set of doors, and the Large Spring (#11) is used for a four-panel set of doors. Insert the Spring (#10/#11) into the Tension Clip (#9). Now slide the Tension Clip (#9) and the Spring (#10/#11) into the Bottom Track (#3) (See IPB Drawing on Page 1). If you are installing two panels, the Tension Clip (#9) and the Small Spring (#10) will be next to the wall and the Guide Pin Roller (#12) pushed against them. If you are installing four panels in the same closet opening, the Tension Clip (#9) and the Large Spring (#11) are in the center of the Bottom Track (#3). In either case, the Guide Pin Roller (#12) pushes against the spring which makes the tension that makes the panels stay closed.

G. Locate the Pivot Block Clamp (#8) in the Hardware Bag. Loosen the #10-32 x 7/16 Screw (#8A) in the Pivot Block Clamp (#8) and slide the Pivot Block Clamp (#8) into the Bottom Track (#3) on the side where the door will pivot (See Figure 2B). Position the Pivot Block Clamp (#8) 1/2 to 3/4 in from the end of the Bottom Track (#3) (See Figure 2C). If installing a four-panel set, place a Pivot Block Clamp (#8) at both ends of the Bottom Track (#3).

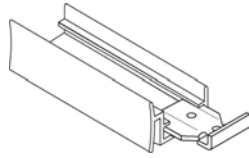


Figure 2B

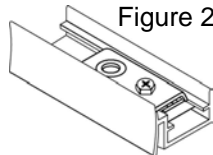


Figure 2C

H. Complete installation of the Bottom Track (#3) by re-positioning it at the bottom edge of the closet opening and secure it in place per your FLOOR CHECK LIST (Concrete and tile floors require Screw Anchors and Screws which are not supplied).

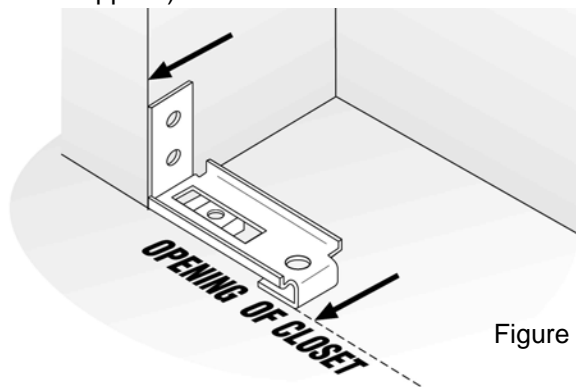


Figure 3A

STEP 4 Installing the Optional Bottom Trackless System

NOTE: You must cut a hole in the carpet to accommodate the Pivot "L" Bracket (#20). The bracket *must* mount to the floor. **IMPORTANT NOTE:** Without the Bottom Track (#3) the door panels may require

special adjustments or may tend to sag. See **Step 10: Horizontal Adjustment.** For optimum performance from your Bi-Fold Door, we strongly recommend installing the Bottom Track (#3) as described. You may also see a 1-1/4" gap from the floor to the bottom of the door in the absence of the Bottom Track (#3).

A. Locate the Pivot "L" Bracket (#20). Place Pivot "L" Bracket (#20) so that the front edge of the Pivot "L" Bracket (#20) is flush to the front of the closet opening (See Figure 3A).

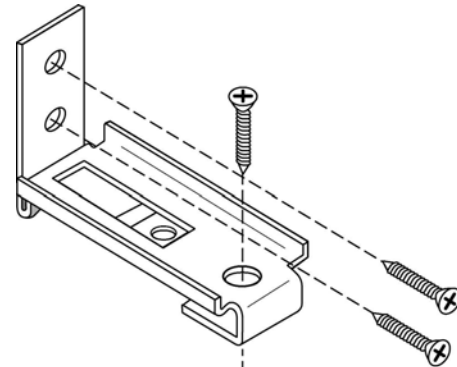


Figure 3B

B. With your Pencil, mark only where the screw hole in the Pivot "L" Bracket (#20) meets the floor.

NOTE: DO NOT MARK THE SCREW HOLES FOR THE WALL AT THIS TIME. It is important that you secure the bottom screw to the floor before you mark the holes in the wall. Otherwise, the holes in the wall may not align correctly for the final installation of the Pivot "L" Bracket (#20).

C. Set the Pivot "L" Bracket (#20) aside and, based on the type of floor you have, drill a hole where you made the pencil mark. Insert a Screw Anchor into the floor and secure the Pivot "L" Bracket (#20) with a Screw (Use the correct type of Screw as recommended for the type of floor you have. See "FLOOR CHECK LIST"). If installing a four-panel set, place a Pivot "L" Bracket (#20) at both sides of the closet opening.

D. With the Pivot "L" Bracket (#20) screwed to the floor, mark the holes where the Pivot "L" Bracket (#20) meets the wall.

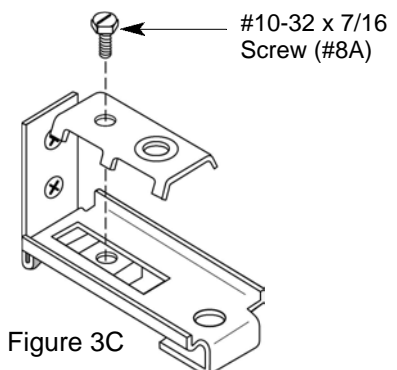


Figure 3C

- E. Remove the Pivot "L" Bracket (#20) and drill holes into the wall where you made the pencil marks. Complete installation of the Pivot "L" Bracket (#20) by securing it with Screws to the floor and the wall (See Figure 3B). Note, if you are not screwing directly into wood, be sure to use a Screw Anchor (not supplied) for each Screw in the wall.
- F. With the Pivot "L" Bracket (#20) securely installed, locate the Pivot Block Clamp (#8) and the #10-32 x 7/16 Screw (#8A). Remove the top half of the Pivot Block Clamp (#8) and discard the bottom half. Use the #10-32 x 7/16 Screw (#8A), which came with the Pivot Block Clamp (#8), to attach the top half of the Pivot Block Clamp (#8) to the Pivot "L" Bracket (#20) which is mounted to the floor and wall. See Figure 3C.

STEP 5 **Adjusting the Pivot Block Clamp**

- A. Use your Plumb Bob and line to adjust the Pivot Block Clamp (#8). This will ensure that your doors work properly (See Figure 4).
- B. Loosen clamp screw in Top Track (#2) and Bottom Track (#3). Shift clamps in opposite directions until plumb tool is directly over the pin hole. Tighten screws.

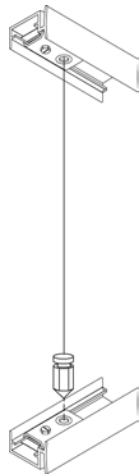


Figure 4

STEP 6 **Installing Pivot Pins in Panels**

- A. Locate the Bottom Threaded Pivot Pin (#14) and the Allen Wrench (#23) in the bag of hardware.

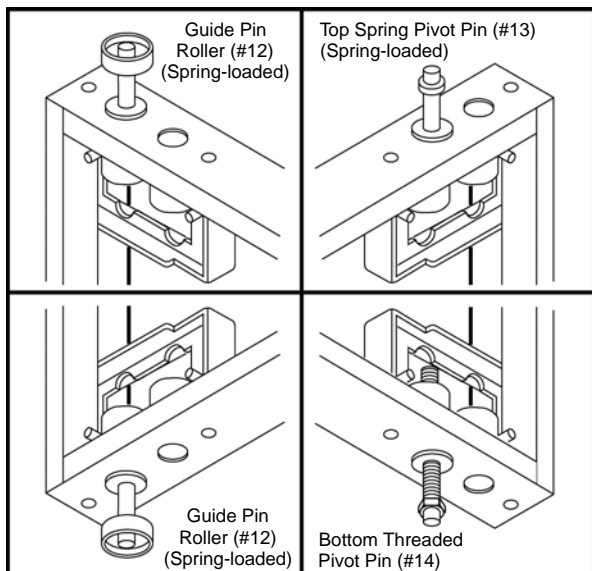


Figure 5

- B. Lay the Panels face down on a padded floor and insert the Bottom Threaded Pivot Pin (#14) into the inside hole at the bottom of the Panel. The Bottom Threaded Pivot Pin (#14) will be the pivot side of the door (See Figure 5).
- C. Once the Bottom Threaded Pivot Pin (#14) is inserted into the bottom pivot side of the door, insert the Allen Wrench (#23) through the top of the corner block to turn the threaded pivot pin down (clockwise) 3/8 .
- D. Locate the Top Spring Pivot Pin (#13) in the bag of hardware. Insert into the top inside hole of the pivot side of the Panel (See Figure 5).
- E. Locate the two Guide Pin Rollers (#12). Insert into the outside hole of the top and bottom of the Panels (See Figure 5).

NOTE: If you want to change the opening direction of the door, switch location of B and C at the top of the door and switch location of A and C at the bottom of the door (See Figure 6).

STEP 7 **Installing the Doors and Adjusting the Height**

NOTE: When adjusting (raising) the door Panels, please relieve the weight of the Panels on the Bottom Threaded Pivot Pins (#14) by lifting the Panels up while adjusting the Bottom Threaded Pivot Pin (#14) nut.

- A. Insert the Bottom Threaded Pivot Pin (#14) into lower Pivot Block Clamp (#8) hole (See Figure 6A).
- B. Pull upper Top Spring Pivot Pin (#13) down and engage in Pivot Block Clamp (#8) hole (See Figure 6B).
- C. Pull remaining pins down at top and up on the bottom and engage in track (See Figure 6C).
- D. Turn Bottom Threaded Pivot Pin (#14) clockwise until top of door is 1/8 (3mm) below Top Track (#2) (See Figure 6A).

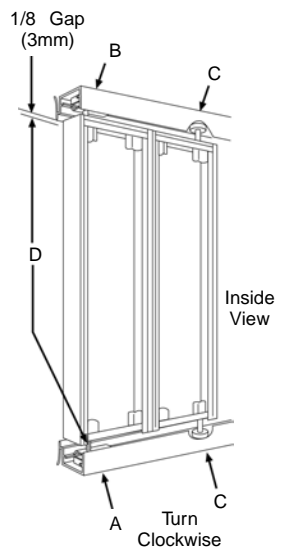


Figure 6

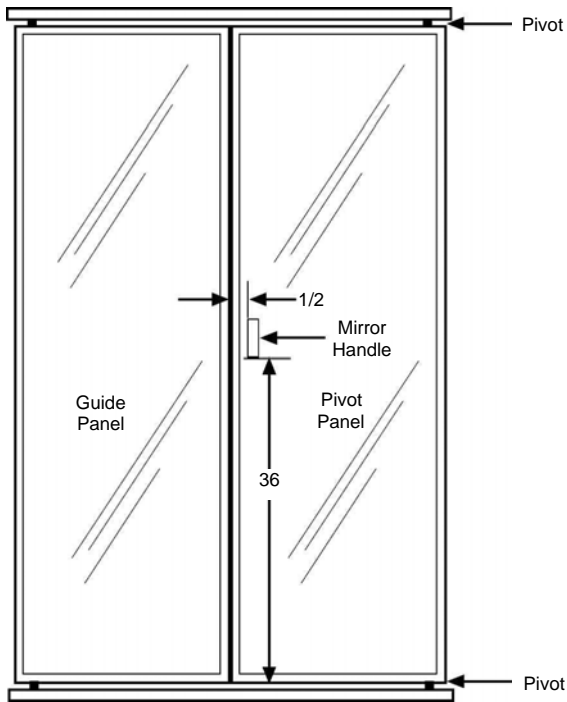


Figure 7

STEP 8 *Installing the Door Handle*

- Locate the Mirror Handle (#15) in the hardware bag.
- Clean the mirror so that the Mirror Handle (#15) adheres properly.
- Measure from the bottom of the pivot panel, up 36 and mark the mirror. Next, make a mark 1/2 in from the edge of the mirror. See Figure 7.
- Peel the paper backing from the Mirror Handle (#15). Carefully align the bottom of the Mirror Handle (#15) with the 36 mark and the side with the mark 1/2 in. When the Mirror Handle (#15) is properly aligned, press it onto the mirror.
- If you are installing a four-panel set, repeat steps 8-B, 8-C and 8-D above.

STEP 9 *Horizontal Adjustment (If Necessary)*

If the doors are not in line, loosen the Pivot Block Clamp Screw (#8A) in the Top Track (#2) and Bottom Track (#3). Shift the Pivot Block Clamps (#8) in opposite directions to correct. Tighten the screws. See Figure 8.

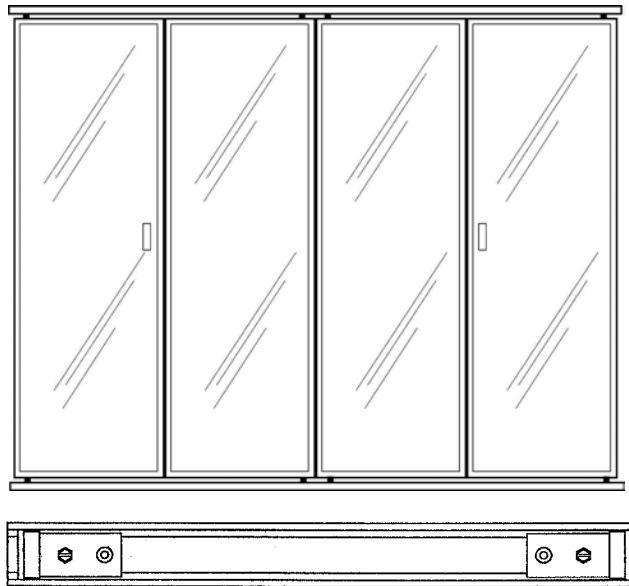


Figure 8

STEP 10 *Limiting Door Travel (If Desired)*

Remove Door. Unsnap upper Guide Pin Roller (#12) from present location and snap into adjacent hole. Repeat for the lower Guide Pin Roller (#12). See Figure 9.

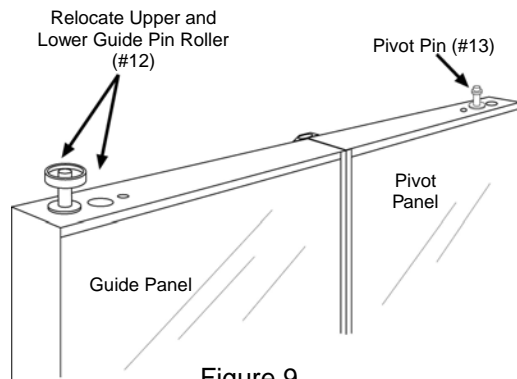
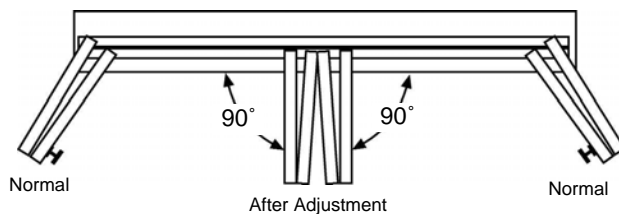


Figure 9



Thank you for purchasing a CW® Wardrobe Door. This is only one of a large line of wardrobe doors and high quality bath enclosure products. If you like this product, please contact Contractors Wardrobe® for more information about our many beautiful bath enclosures available in a vast array of colors and finishes to suit your designing needs.

Instrucciones para la instalación

Modelo

**Trim Line
Bi-Fold**

Calidad

Cw

Diseñadores y Manufacturadores

26121 Avenue Hall

Valencia, CA. 91355

(661) 257-1177

Fax (661)

O visite nuestro sitio Web al www.cwdoor.com

Lista e ilustración de las partes del modelo Trim Line Bi-Fold

*.Cuando ordene las partes indique el tamaño y el color.

Felicitaciones en la compra de su nuevo espejo para el closet. Ahora que ya ha abierto su paquete, queremos verificar que tiene todas las partes necesarias que suplimos con las puertas.

Lista de las partes:

Número	Cantidad	Descripción
(#1)	2	Paneles de espejo
(#2)	1	Carril superior
(#3)	1	Carril inferior
(#8)	2	Pivote de torno con tornillos #10-32 x7/16"
(#9)	2	Clip de tensión
(#10)	2	Muelles o resortes pequeños
(#11)	2	Muelles o resortes grandes
(#12)	2	Guía Rollo de clavija (guide pin rollers)
(#13)	2	Pivote o eje del resorte superior (top spring pivote pin)
(#14)	1	Pivote inferior de rosca.(bottom threaded pivot pin)
(#15)	1	Agarradera de espejo
(#16)	5	#8 x 1 1/2 " PH SMS tornillos
(#20)	1	Pivote de L bracket
(#21)	1	Allen Wrench

Si alguna de las partes está dañada o perdida. Refiérase a las partes en la lista y al IPB del dibujo y póngase en contacto con CW al (661) 257-1177. Departamento de servicio para clientes. NOTA: Las direcciones dadas en estas instrucciones _ izquierda, derecha, frente parte de atrás, etc.- son de la parte de afuera del closet mirando a las puertas.

Lista de las herramientas que necesita para la instalación

1. Destornillador de estrías
2. Cinta de medir
3. Nivel
4. Lápiz
- 5 .3/8" Taladro de motor y brocas 1/8
6. Sierra de metales y caja de ingletes
7. Cuadra
8. Martillo
9. Cuatro tornillos y anclas de 1" (para suelos de losetas solamente)
10. Goma adhesiva Para pisos de cerámica (mire la lista de tipo pisos #5)

Tipos de pisos

1. ¿Tiene usted alfombra?

Para evitar problemas, le recomendamos que si tiene alfombra y no tiene esa parte ya cortada, debe cortarla para poder instalar el carril de abajo (#3) Le recomendamos que no lo instale encima de la alfombra.

2. ¿Tiene piso de concreto madera o baldosa?

A. Si el piso es de concreto

Abra un agujero con un barreno (drill bit) de 3/16" inserte las anclas para poner el canal del piso (#3) o puede engomar el carril con el adhesivo. (No incluido en el paquete).

B. Si el piso es de madera

Use los #8 tornillos de madera (#16) para atornilla el carril al piso.

C. Si el piso que tiene es de baldosa

Abra un agujero con un con un taladro y una barrena de 3/16" Inserte las anclas (#3) y conecte al piso con los tornillos. O puede engomar el carril al piso con adhesivo para paneles.

Instalación de las puertas con doblaje del Roper

Paso #1 Remueva las puertas viejas, los canales de arriba, y el carril de abajo.

Paso #2 Instalación del carril de arriba.

Nota: Si usted ordenó el juego de 2 paneles incluimos un solo canal, el cual tiene que ser cortado a la mitad o de acuerdo a las medidas tomadas para obtener el carril de la parte superior del closet #2, y el de la parte inferior del closet #3

Si usted ordenó el juego de 4 paneles, encontrará 2 cajas las cuales contienen 2 paneles, un carril y un paquete de tornillos y otras misceláneas cada una. Use una para la parte de arriba (#2). Y otra para la parte de abajo (#3)

A. Mida la apertura del tope del closet de pared a pared.(marco de la puerta)

B. Corte el canal #2^a esta medida (le recomendamos que use una sierra de metales y caja de ingletes para un corte exacto.) De el corte en uno de los extremos solamente.

C. Sostenga el carril ya cortado en la parte superior de la apertura del closet y nivélelo con el filo de afuera del marco de la puerta (figura 1A) Con el carril en posición use un lápiz para la posición de los agujeros el carril (#2) y póngalo a un lado mientras procede con el próximo paso.

D. Abra un hueco usando el barreno (bit) de 1/8” en el lugar que marcó con el lápiz.

E. Localice el clip de tensión (#9) y el muelle (#10 y #11).

El muelle #10 es pequeño y se usa para la puerta de 2 paneles. El # 11 es más grande y es usado para la puerta de 4 paneles. Inserte el muelle que le corresponda en el clip de tensión (#9). Deslice el clip de tensión con el muelle en el carril superior (#2). Mire el esquema IPB de la página 2.

Si está instalando una puerta de 2 paneles, el clip de tensión (#9 y el Muelle #10) van hacia el lado de la pared contra la que el panel cierra. Si está instalando 4 paneles el clip de tensión (#9 y el muelle grande #11) van en el centro del carril (#2). En todo caso el rollo (guide pin roller(#12) se empuja contra el muelle el cual hace la tensión que hace que los paneles se mantengan cerrados.

F. Localice el pivote (Pivot block clamp #8) en la bolsita de los tornillos. Afloje el tornillo #10-32 x 7/16” (#8A) en el pivote (eje) clamp (abrazadera) y deslice el pivote clamp #8 en el canal superior (#2) en el lado donde la puerta gira (mire la figura 1B) Ponga el pivote Block Clamp #8 en posición al final de el canal superior (#2) (mire la figura 1C). Si está instalando un juego de 4 puertas ponga el pivote (#8) en los dos extremos de el canal superior. (#2)

G. Complete la instalación de el carril superior volviéndolo a colocar en la apertura del closet y asegurándolo con los tornillos #8 de 1 1/2” PH SMS (#16 en el esquema) para atornillarlo en su lugar.

Paso #3 Instalando el carril de abajo

Nota Si ordenó un juego de dos paneles le enviamos un carril largo el cual necesita cortar a la mitad de acuerdo a sus medidas para sacar los dos carriles superior (#2) e inferior (#3)

Si ordeno un juego de 4 puertas le enviamos 2 cajas. En cada una de ellas encontrará 2 paneles y un carril además de la bolsita con las partes necesarias para ponerlas. Use uno de los carriles para la parte de arriba (#2) y otro para la parte de abajo. (#3)

A. Esté segura de haber chequeado lista para determinar que tipo de instalación usará.

Nota: Si no desea usar el carril de abajo siga al Paso 4: Instrucciones para instalar el sistema sin carril.

B: Mida la apertura de la parte inferior del closet..

C. Usando el serrucho y la caja de ingletes corte el carril de abajo a la medida (#3).

- D. Coloque el carril en el piso en la apertura de la puerta al nivel del marco (mire la figura 2A). Sostenga el carril en la posición indicada y marque con un lápiz el lugar en donde están los huecos para los tornillos.
- E. Ponga a un lado el carril y abra los huecos en donde están las marcas del lápiz
- F. Localice el tensión Clip #9 y los resortes # 10 y 11 el resorte #10 es usado para el juego de dos puertas y el resorte # 11 para el juego de 4 puertas. Inserte el resorte dentro del tensión clip # 9. Deslice el tensión clip #9 y el instalando el juego de dos puertas el clip y el resorte van del lado donde la puerta cierra si esta instalando el juego de 4 puertas el clip y el resorte van en el centro del carril de abajo. En los dos casos el guide pin Roller (#12) empuja el resorte creando la tensión que mantendrán los paneles cerrados.
- G. Localice el pivót Block Clamp (#8) en la bolsita de los tornillos. Afloje el tornillo #10-32 x 7/16" (8A) y deslice el Pívot Block Clamp (#8) en el carril inferior (#3) en el lado donde la puerta está supuesta a girar (Vea la figura 2B). {ponga en posición el Pívot Clamp (#8) 1/2" – 3/4" al extremo del carril (#3). Si está instalando el juego de 4 puertas, ponga el Pívot Block Clamp (#8) en los dos extremos del carril inferior. (#3)
- H Coloque el carril (#3) en la posición correcta en el piso en el filo de la apertura del closet y asegúrelos con los tornillos indicados de acuerdo a la lista, (*Los pisos de concreto y tile necesitan anclas y tornillos los cuales no están incluidos*) para completar la instalación.

Paso 4 Instalando el sistema Opcional sin carril

Nota : Debe de cortar un hueco en la alfombra para acomodar el Pívot L Bracket (#20). El bracket debe montarse en el suelo. Nota Importante: Sin el carril inferior (#3) Los paneles de la puerta pueden requerir ajuste especial o pueden tender a ceder o hundirse. *Vea el paso #10 Ajuste Horizontal. Pero recomendamos que instale el canal inferior (#3) para el mejor funcionamiento de las puertas.*

- A. Localice el pivota "L" bracket (#20). De manera que el borde del Pívot "L" bracket esté a 1/2" pulgada del frente de la apertura del closet (Vea la figura 3 A). Usted puede ver también que hay un espacio de 1" del piso a la parte de debajo de la puerta cuando no se usa el carril inferior. (#3)
- B. Con un lapiz marque solamente donde el hueco del tornillo en el Pívot "L" bracket (#20) toca el piso.

Nota: *No marque los huecos para la puerta en estos momentos.* Es importante de que asegure el tornillo al piso antes de marcar los huecos en la pared o los huecos no se alinearán correctamente para la instalación final del Pivote "L" bracket (#20).

- C. Ponga a un lado el Pivote “L” bracket (#20) y basado en el tipo de piso que tiene abra un hueco usando el taladro en el lugar marcado por el lápiz e inserte el ancla (anchor) en el piso y fije el pivote”L” bracket con el tornillo como le recomienda la lista. Si está instalando una puerta de 4 paneles ponga el pivote “L” a ambos lados de la apertura del closet.
- D. Con el Pivote “L” bracket (#20) atornillado al piso marque los huecos del pivote en el lugar donde toca la pared.
- E. Quite el pivote y abra los huecos con el taladro en el lugar ya marcado. Complete la instalación atornillando al piso y a la pared. (Vea la figura 3B)
- F. Con el pivota ya instalado localice el pivote Block Clamp (#8) y los tornillos #10-32x7/16” (#8A) que viene con el clamp (#8) para atornillar la parte de arriba del pivote clamp #8 al pivote “L” bracket (#20) que esta montado al suelo y a la pared. (Vea la figura 3C).

Paso 5. Ajustando el Pivote Block Clamp.

- A. Use la plomada para ajustar el pivote block clamp (#8). Esto asegurará que las puertas funciones apropiadamente. (Vea la figura #4)
- B. Afloje el tornillo en el carril superior (#2) e inferior (#3) mueva las tenazas (clamps) en dirección opuesta hasta que la plomada esté directamente sobre el hueco. Apriete los tornillos. (Figura #4).

Paso 6. Instalando los pasadores del pivote en los paneles.

- A. Localice el pasador roscas inferior (#14) y la llave inglesa (#23) en la bolsita de herramientas
- B. Cubra el piso con una frazada para proteger los paneles. Acueste los paneles en el piso con la parte de atrás para arriba. Una vez que el pasador de rosca esté insertado dentro del agujero en la parte de abajo del panel, este será el pivote del lado de la puerta (#14)
- C. Hecho esto inserte la llave inglesa (Allen wrench) (#23) a través de la parte superior del esquinero para enroscar el pasador a 3/8”.
- D. Localice el pasador con muelle superior (#13) en la bolsita de herramientas, e insértelo adentro del agujero de la parte superior de la esquina de la puerta. (Vea la figura 5)
- E. Localice los 2 rodillos guía (#12) e insértelos en los orificios que están en el tope y fondo de los paneles de la puerta. (Vea la figura #5)

Nota: si quiere cambiar la dirección de la apertura de la puerta intercambie B por C en la parte de arriba de la puerta y también A por C en la parte de debajo de la puerta. (Vea la figura 6)

Paso 7. Instalando las puertas y ajustando la Altura

Nota: Cuando vaya a ajustar las puertas (levantar) mantenga los paneles en el aire mientras da vueltas a la tuerca del tornillo de rosca (Bottom Threaded Pívor) (#14).

- A. Inserte el tornillo de rosca (#14) dentro del agujero del pivote #8 (Vea la figura 6 B)
- B. Hale hacia abajo el pasador (#13) de la parte de arriba de la puerta y encájelos en el agujero del pivote (#8)
- C. Empuje los pasadores restantes hacia abajo los de la parte de arriba y hacia arriba los de la parte de abajo y encájelos en el carril (Vea la figura 6C).
- D. Enrosque el pivote (#14) a la dirección de la manilla del reloj hasta que la parte de arriba de la puerta esté a 1/8" por debajo del carril superior (#2) Vea la figura 6 A).

Paso 8. Instalando las agarraderas

- A. Busque las agarraderas (#15) en la bolsita de las herramientas.
- B. Limpie el espejo en el área donde van las agarraderas antes de continuar
- C. Mida de la parte de debajo de la puerta y coloque las agarraderas a 36 pulgadas de la parte a abajo de la puerta y a 1 ½ pulgadas del filo de la puerta Vea la figura 7.
- D. Pele el papel de la parte de atrás de la agarradera (#15). Y cuidadosamente nivélela y marque ½" del filo de la puerta hacia adentro.
- E. Si está instalando el juego de 4 paneles repita los pasos 8-B-8-D...

Paso 9. Ajustes Horizontales (Si son necesarios)

Si las puertas no están alineadas, afloje el tornillo (#8A) en el carril de arriba(#2) y en al carril de abajo (#3).Mueva el pivote (#8) en dirección opuesta para corregir la diferencia y apriete los tornillos de nuevo. **(Vea la figura 8).**

Paso 10 Limitando el movimiento de la puerta. (Si así lo quiere)

Remueva la puerta. Saque el rodillo de rosca (#12) del agujero y póngalo en el agujero de al lado. Repita esta acción con la parte de debajo de la puerta. (**Vea la figura 9**)

..