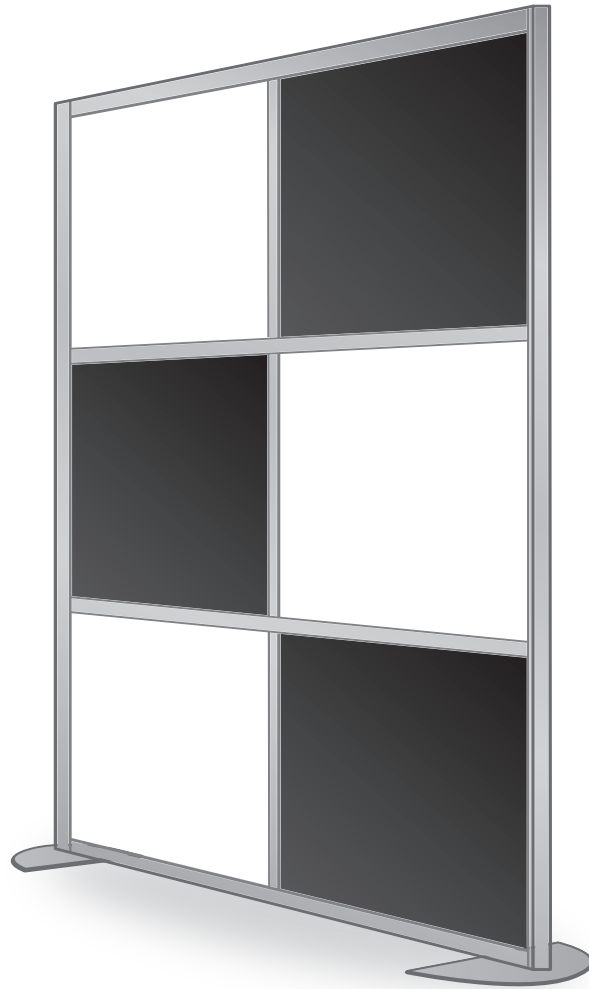


# *Parts and Assembly Instructions*



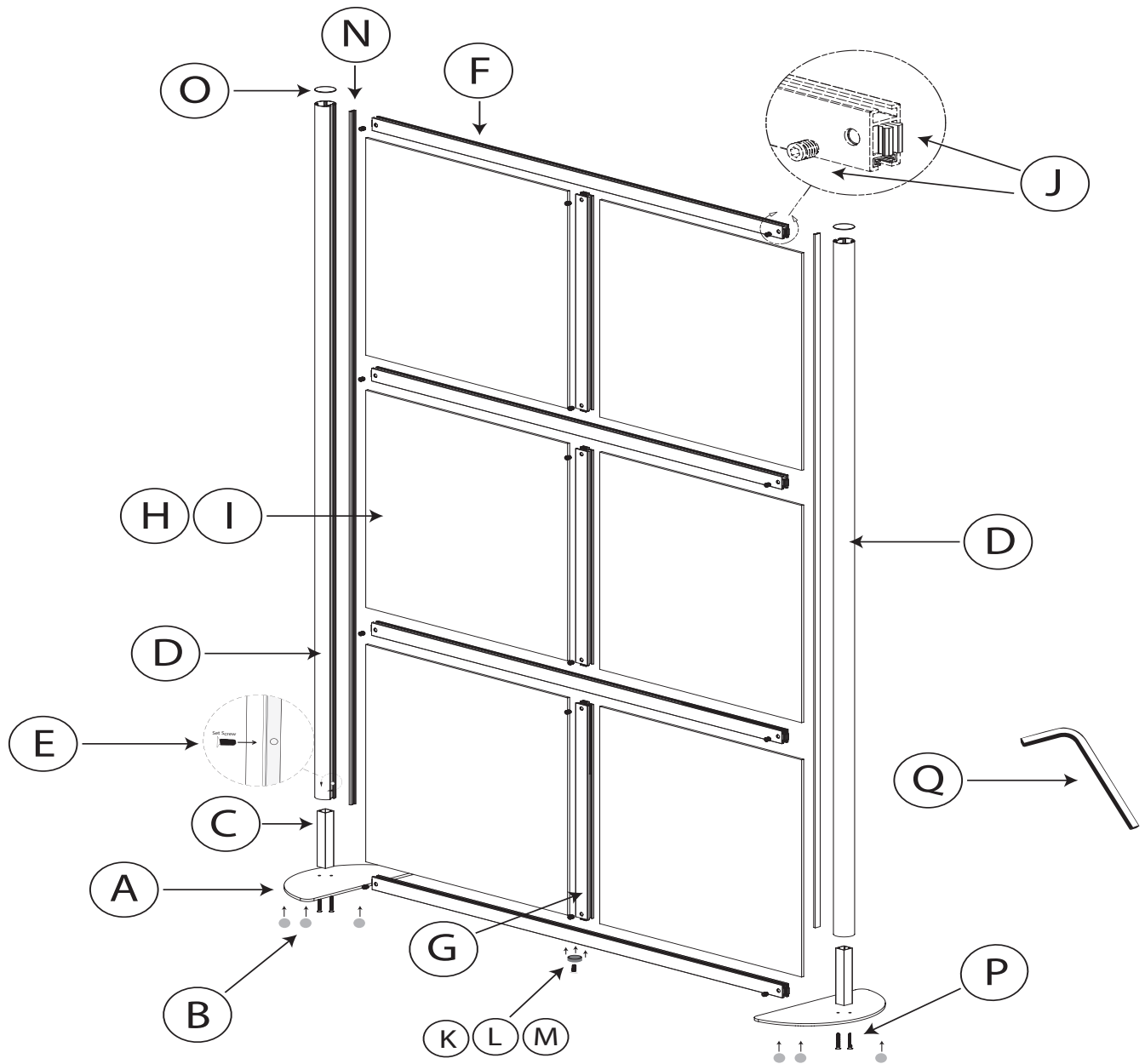
*Sample of uDivide™ configuration shown above.*



*Assembly Video  
QR Link*



# Illustrated Parts Breakdown (IPB) Model uDivide™



Sample of uDivide™ configuration shown above.

H	I
Black-BLA	Alpine Oak-ALO
Blue-BLU	Cherry-CHE
Green-GRE	Clear Fir-CLE
Orange-ORA	Maple-MAP
Red-RED	Walnut-WAL
White-WHT	Wheat Oak-WHO
Yellow-YEL	Chalkboard-CHA
Bronze Translucent-BZT	*Dry Erase-DRE

\*Note: We recommend Expo® Low Odor dry erase markers. Test all other markers before using them.

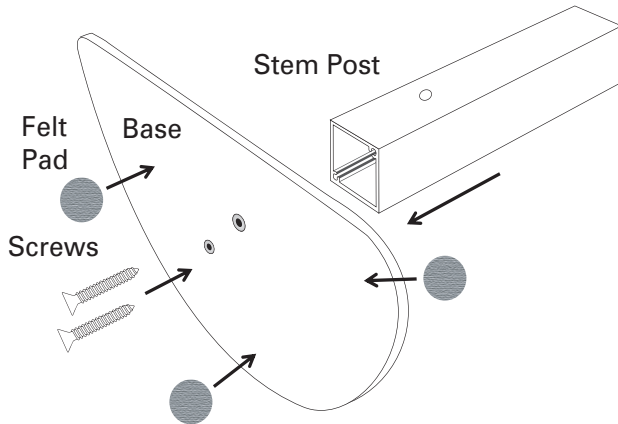
ITEM	QTY	DESCRIPTION	PART NUMBER
A	2	Base Plate	5970SC
B	6	Felt 1/16" Pads with Adhesive	F2050
C	2	Aluminum Square Stem	A5900MF144
D	2	One Sided Round Post	A5930SC153
E	2	#8 x 3/8" FH Screw	S83125
F	4	Frame Bar - Horizontal	A5910SC292
G	3	Frame Bar - Vertical	A5910SC292
H	**	23-1/2" x 23-1/2" Insert Sheet	AIS - 2323**
I	**	23-1/2" x 23-1/2" Insert Sheet	AIS - 2348**
J	**	Aluminum Divider Lock 2 PC	A5960
K	1	10-24 3/8" Phil Pan Set Screw	S0153
L	1	10-24 Weld Nut	N6080
M	1	Rubber Bumper / Screw	B0060
N	**	Rigid PVC Glide Strip	P4100CL
O	2	Aluminum Post Cap	A5950SC
P	4	#8 1-1/2" FH SMS Screw	S82075
Q	1	Wrench - 5mm Hex Key	W8011

\*\*Insert quantity varies on the size and configuration of your uDivide™

# Assembling Horizontal Bars, Vertical Bars and Panel Inserts

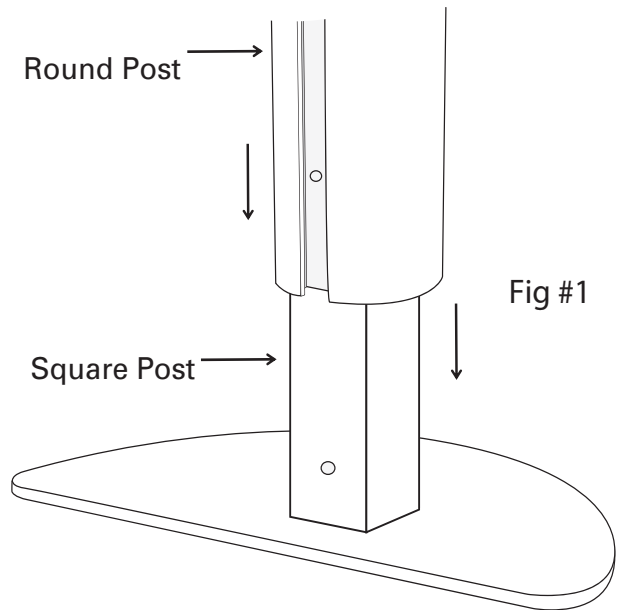
**1**

Connect the Base Plate to the Square Stem using the two screws provided. Countersunk holes should be facing down to the floor.



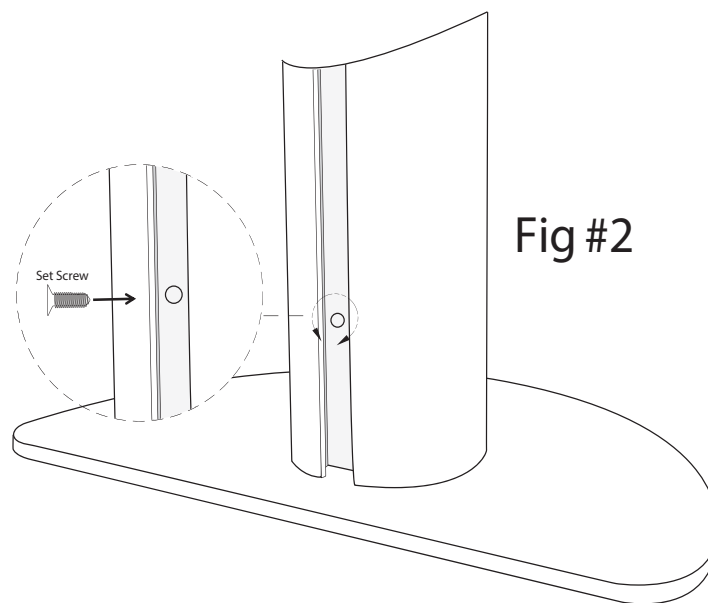
**2**

Slip Square Post into Round Post slot making sure the slot in the Round Post is facing as shown in Fig #1. Align the hole in the Square Post with the hole in the Round Post.



**3**

Option. You can choose to lock the Main Post to the base and Square Post by using the provided screws to fasten them together, as shown in Fig #2.

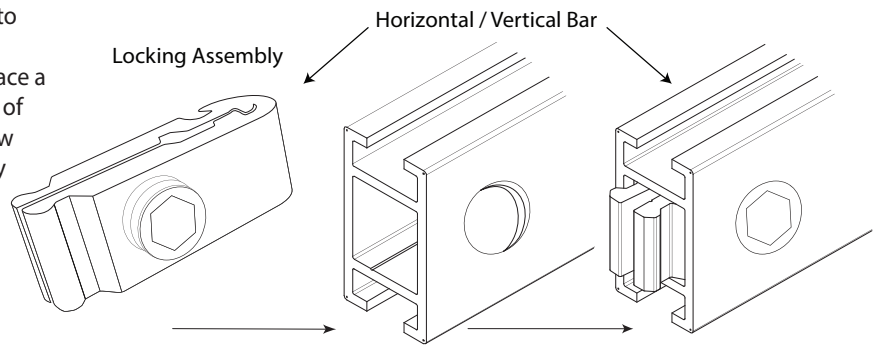


**4**

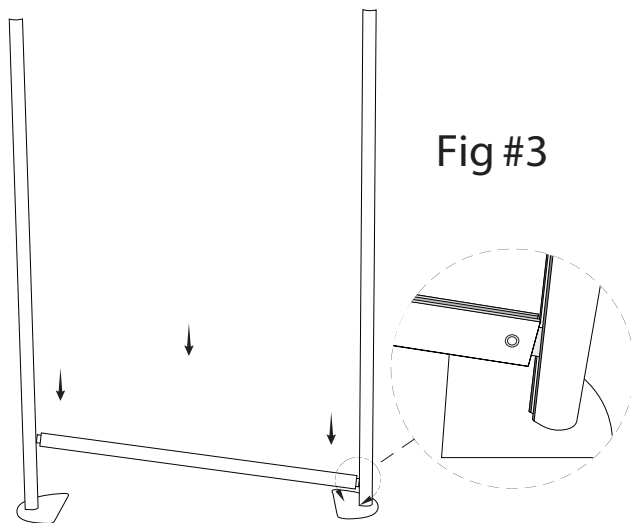
Repeat these steps for other Post assembly.

**5**

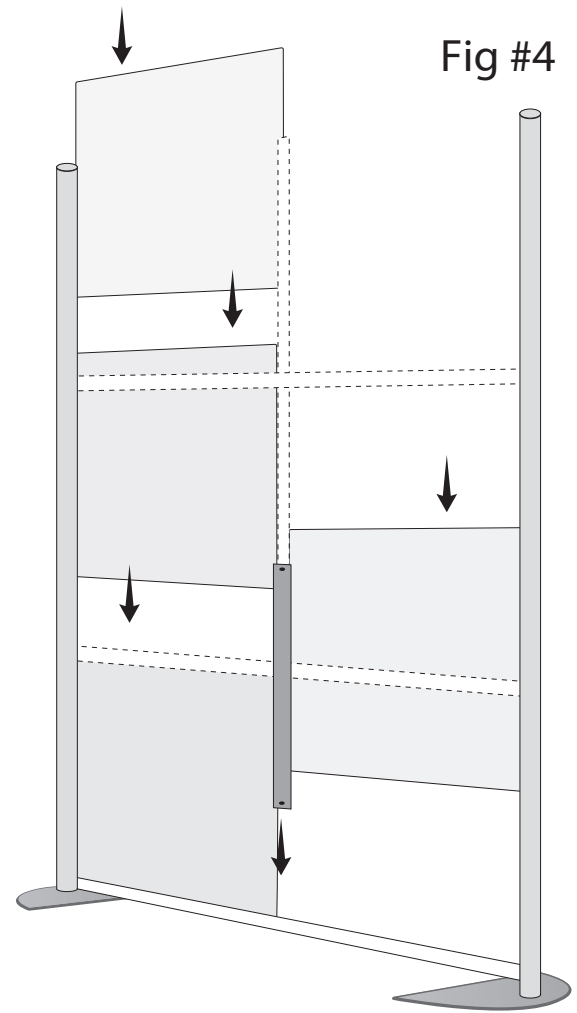
To install locking assemblies into the horizontal frame bars, first remove the Hex Screw, then place a Locking Assembly into the end of the bar and insert the Hex Screw back into the Locking Assembly

**6**

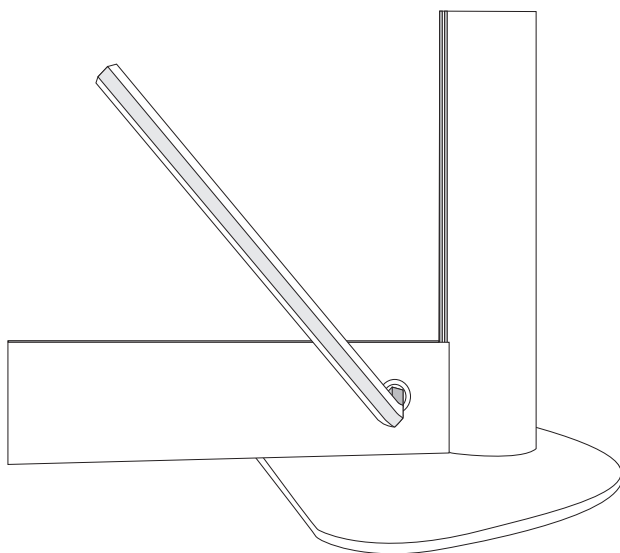
First locate the Horizontal Bar with one (1) Glide Strip and slide it into place at the bottom of the two Round Post slots as shown in Fig #3.

**8**

Remember to peel away all protective film from Insert Panels before Assembling. Slide Panels down inside the vertical slots of the Round Posts on top of the Horizontal Bar. If your configurations include Vertical Bars then insert the middle Vertical Bar with Glide Strips as shown in Fig #4.

**7**

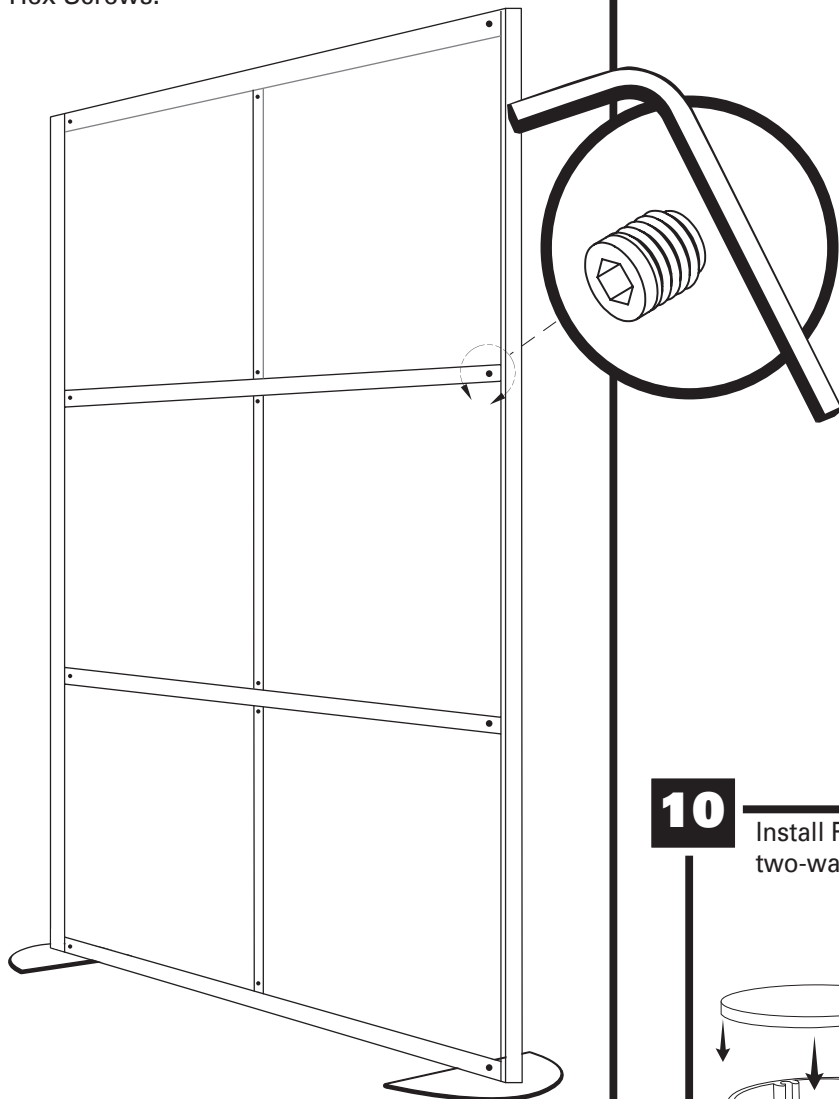
The Hex Key is used to tighten the framework together as you assemble your uDivide™. Make sure the Glide Strip is firmly in place to help cushion your Insert Panels.



## Final Assembly

**9**

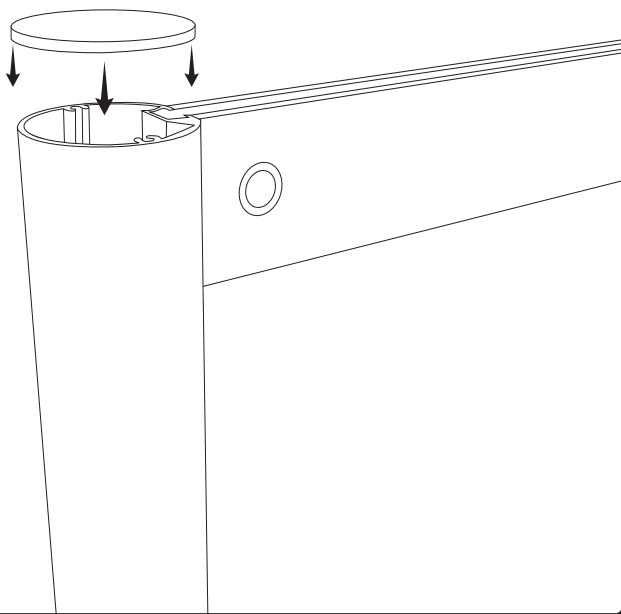
Repeat these steps for assembling all Horizontal and Vertical Bars; remember to tighten all Hex Screws.



Note: We recommend Expo® Low Odor dry erase markers. Test all other markers before using them.

**10**

Install Post Caps by removing backing of the two-way tape provided.





**Quality.**

*"We Set The Standard."*

**Contractors Wardrobe®**  
***Designers & Manufacturers***

*Shower Enclosures • Duratuf® Tempered Safety Glass • Painted Glass  
CwShield™ Protective Coating • Room Partitions and Loft Dividers  
Cabinet Doors • Duraflect® Copper-Free Mirror • Wardrobe Doors*

