

Sky[®]
Illustrated Installation
Instructions

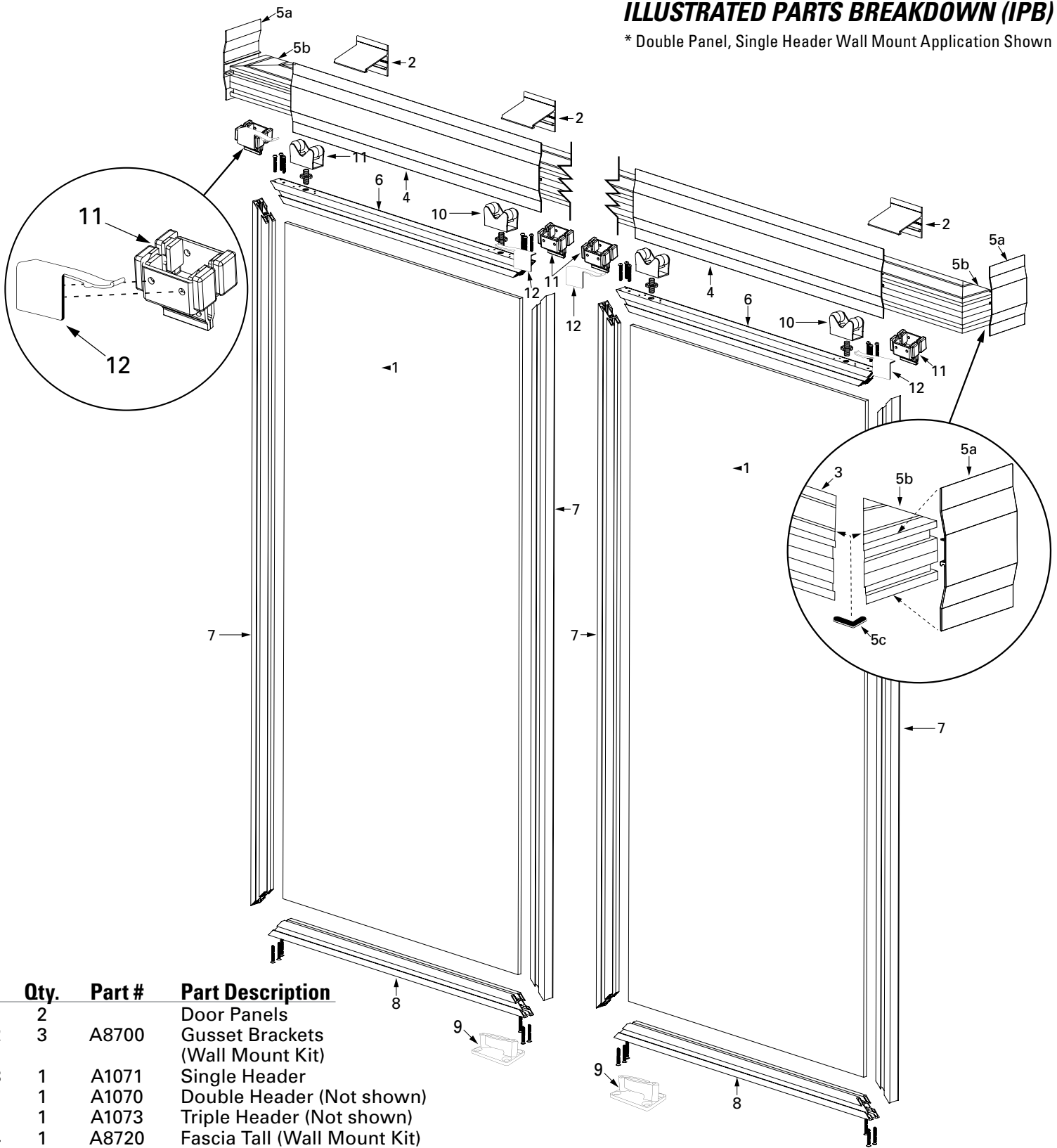


Quality.

"We Set The Standard."

ILLUSTRATED PARTS BREAKDOWN (IPB)

* Double Panel, Single Header Wall Mount Application Shown



Qty.	Part #	Part Description
#1	2	Door Panels
#2	3	A8700 Gusset Brackets (Wall Mount Kit)
#3	1	A1071 Single Header
	1	A1070 Double Header (Not shown)
	1	A1073 Triple Header (Not shown)
#4	1	A8720 Fascia Tall (Wall Mount Kit)
	1	A8730 Fascia Short (Ceiling Mount Kit) (Not shown)
#5a	2	End Cap (Fascia)
#5b	2	End Cap (Header) (Miter Left/Right)
#5c	2	Plastic Key
#6	2	A4700 Top Rail
#7	4	A4700 Side Rail
#8	2	A3600 Bottom Rail
#9	2	A8775 Molded Floor Guide
#10	4	W8060 Wheel Assembly - Top Hung
#11	4	S8000 Panel Bumper
#12	4	W8300 Wheel Stop

Congratulations on purchasing your new Cw® Sky® Door. Now that you have opened the package, we want you to verify that you have all the necessary hardware supplied with your door(s).

Make sure that you have all the proper tools required to assemble your new Sky® Door.

TOOL CHECK LIST (not included):

- Safety Glasses and Gloves
- Phillips Screwdriver
- Tape Measure
- Pencil
- Utility Knife
- Electric Drill
- Masonary Drill Bit Set
- Drill Bit Set
- Miter Box and Hacksaw
- Square
- 9/16" Open End Wrench
- Four (4) Screws and Screw Anchors (See STEP 7, B)
- Level (preferably 18" or longer)
- Stud Finder

STEP 1 CHECKING CONTENTS OF SKY® DOOR PACKAGE

PARTS CHECK LIST: (For a 2 Panel, Single Header Wall Mounted Application)

	Qty.	Part Description
#1	2	Door Panels
#2	1	Gusset Bracket (Per 16" of Header Length) (Wall Mount Application Only)
#3	1	Single Header
#4	1	Fascia (Tall (Wall Mount Kit))
#5	2	End Caps
#9	1	Molded Floor Guide (Per Panel)
#10	2	Wheel Assembly (Per Panel)
#11	2	Panel Bumper (Per Panel)
#12	2	Wheel Stop (Per Panel)
#13	1	Hardware Bag

Note: Based upon application and/or panels used, the quantities and parts may vary. If you find that any parts are damaged or missing, refer to the **Parts Check List** above and **IPB Drawing** on page 2 and contact Contractors Wardrobe®'s Customer Service Department at 661.257.1177.

Views and directions given in these instructions i.e., left, right, front, back, etc., are from the outside facing the Sky® Door or Opening.

STEP 2 PREPARING YOUR OPENING

Your opening should be free of any clutter and debris. Ensure the area for the Header has been prepped and ready for installation. The floor should be finished prior to installing the Molded Floor Guide.

STEP 3 PLACING THE COMPONENTS ONTO THE HEADER

A. Single Header (Single Panel)

1. Snap one Wheel Stop to one Panel Bumper. See **Figure 1**.

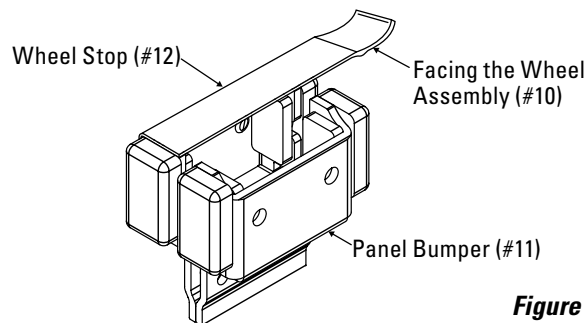
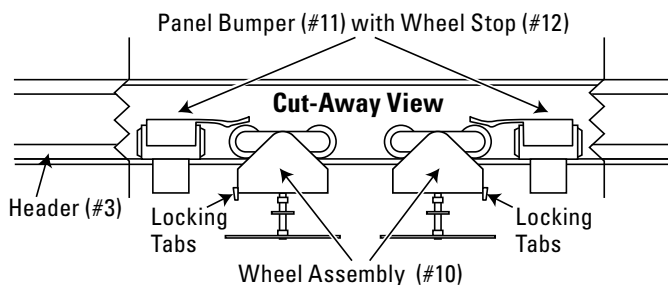


Figure 1

Note: The Wheel Stop snaps onto Panel Bumper. Make sure that the arm of the Wheel Stop is facing the Wheel Assembly. See **Figure 2**.



- Set order of the components is per panel.
- This is a front view of Header (#3) and components.

Figure 2

2. Take a Panel Bumper with attached Wheel Stop and slide into the Header.
3. Slide in two Wheel Assemblies, following the Panel Bumper. Ensure that the locking tabs on the Wheel Assemblies are facing away from each other (towards the ends of the Header).
4. Take a Panel Bumper with attached Wheel Stop and slide into the Header.
5. Panel Bumpers should be slightly tightened at ends of the Header to prevent sliding off the Header. To reference the Panel Bumper and Wheel Assemblies order, use **Figure 2**.

B. Single Header (Two Panels)

Use directions 1-5 in STEP 3, A. Repeat steps 1-5 for second Door Panel.

C. Double and Triple Header (Panel quantity will vary.) (Not shown in IPB)

Repeat directions 1-5 in STEP 3, A. Placing components into the desired location of the Header.

STEP 4 INSTALLING THE HEADER

Wall Mount (Shown in IPB)

A. Locate and mark placement of wall studs. Using a stud finder may be useful.

B. Slide the Gusset Brackets onto the Header. One Gusset Bracket should be installed at a maximum of every 16". Quantity of Gusset Brackets will be determined by length of the Header. See **Figure 3A** for reference.

C. Hold Header into the installation position. To determine the height of the Header, combine the following two measurements:

1. The overall panel height + 5 9/16" = height of Header. Mark the top of the Header.
2. Level the Header.
3. Adjust Gusset Brackets to line up with the marks for the studs.
4. Mark the location of the pre-drilled holes on the Gusset Brackets.

D. Remove the Header and drill holes where you made the pencil marks.

E. Now install the Header making sure that you are securing into the wall studs for support. See **Figure 3A** for reference.

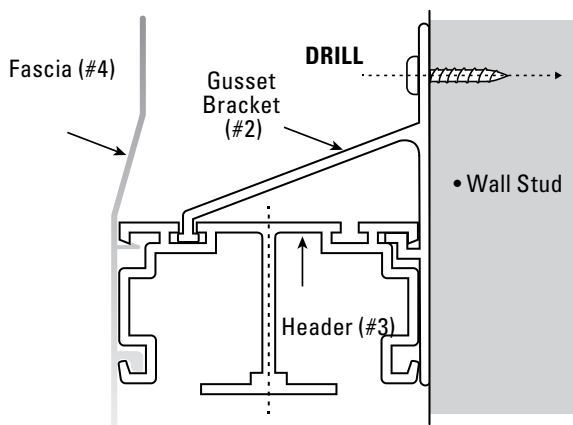


Figure 3A

Ceiling Mount (Not shown in IPB)

A. Locate and mark placement of wall studs. Using a stud finder may be useful.

B. Hold pre-cut Header into the desired installation position and with your pencil, mark the ceiling where the pre-drilled holes are in the Header.

Note: Based on application of installation, the use of Fascia can vary the location of Header.

C. Remove the Header and drill holes where you made the pencil marks. Now install the Header, making sure that you are securing into the ceiling joist or stud for support. See **Figure 3B** for reference.

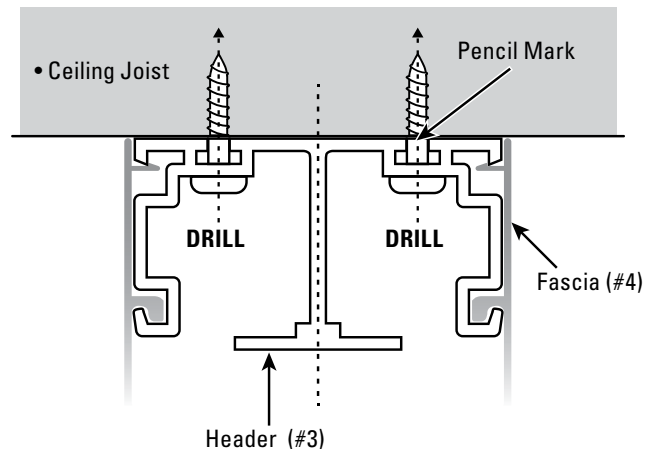


Figure 3B

STEP 5 INSTALLING THE PANEL(S)

A. Ensure the tab lock on the Wheel Assembly is pulled out in the unlocked position. See **Figure 4**.

B. Position the Door Panel under the wheel assembly with the desired surface facing the direction of your choice.

C. Lift the Door Panel and insert Adjustment Bolt into key hole on the Wheel Assembly and allow the Door Panel to drop slightly into place.

D. Lock the Wheel Assembly by sliding the locking tab. See **Figure 4**.

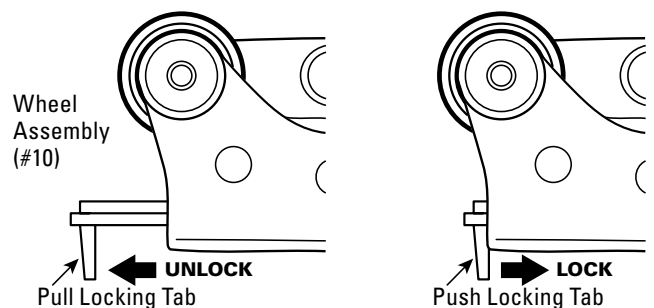


Figure 4

E. Repeat A.-D. for each Wheel Assembly.

STEP 6 ADJUSTING THE PANEL(S)

A. Adjust the panels to your desired position in the header using the adjusting bolt (See **Figure 5**) on the Wheel Assembly with a 9/16" open end wrench, until the door aligns flush with the opening. The bottom of the Door Panel should be minimum of 3/16" above the floor staying within the Molded Floor Guide's placement at a minimum of 3/16" and maximum 13/16".

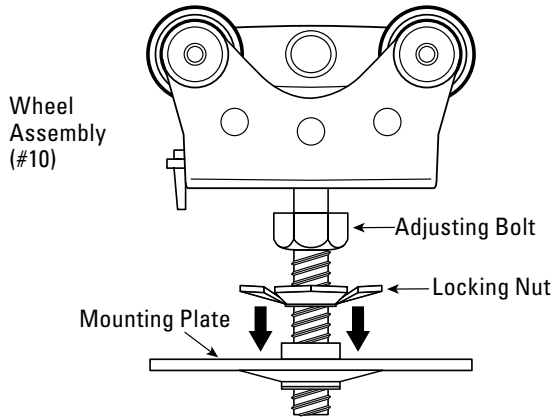


Figure 5

STEP 7 INSTALLING THE MOLDED FLOOR GUIDE

A. Molded Floor Guide should be installed to the floor in a position directly underneath the Door Panel when the door is open or closed. Reference Molded Floor Guide in **Figure 5** and **Diagram 2** for placement.

■ = Molded Floor Guide (#8) placement

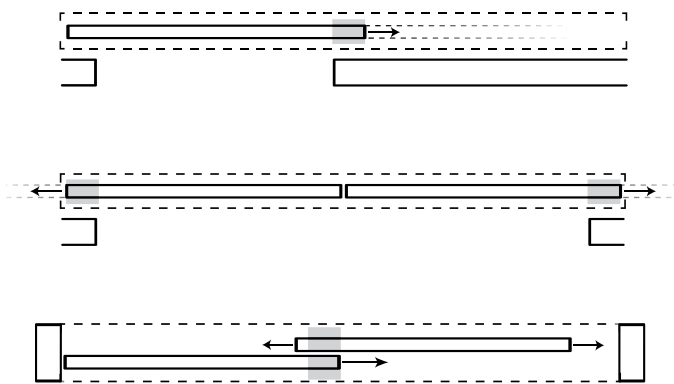


Figure 6

B. Determine the type of flooring for this Installation:

1. Carpet?

It is highly recommended that you should cut the carpet in order to install the Molded Floor Guide directly to the floor. Use a utility knife to make a hole in the carpet to accommodate the floor guide.

2. Concrete or Tile?

Drill holes with a Masonry Drill Bit. Use Screws and Anchors to attach Floor Guide to the floor. Screws and Screw Anchors are not included.

3. Wood?

Use Screws to attach Molded Floor Guide to the floor. Screws are not included.

Note: Make sure that your Door Panel is vertically plumb.

STEP 8 SECURING THE BUMPERS

A. Panel Bumpers are used to stop the Door Panel at the desired location(s). This will need to be done for each position, open and closed.

1. Move the Door Panel into the closed position.
2. Slide the Wheel Stop over the Wheel Assembly. See **Figure 7**.

Cut-Away View

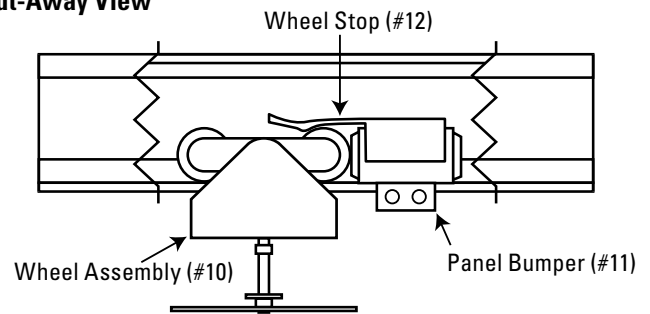


Figure 7

3. Secure the Panel Bumper in place by tightening screws with a phillips screw driver.

B. Repeat steps 1-3 (above) as needed.

STEP 9 INSTALLING END CAPS (Wall mount application only)

A. Secure the end caps onto the Header. See **Figure 8**.

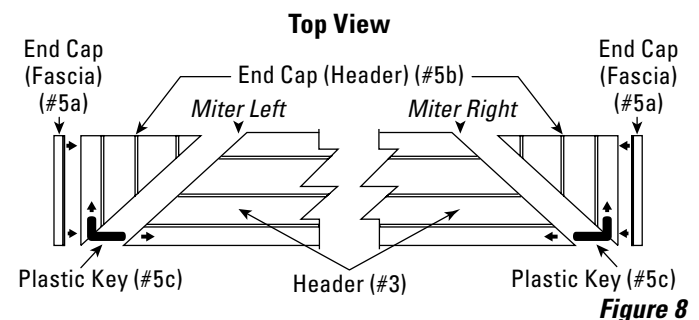


Figure 8

STEP 10 INSTALLING FASCIA

Wall Mount

A. Fascia (Tall) will be used for wall mounted applications.

B. Snap front Fascia (Tall) on to Header and then snap on End Cap Fascia to End Cap Header. See **Figure 9** and reference **Figure 8**.

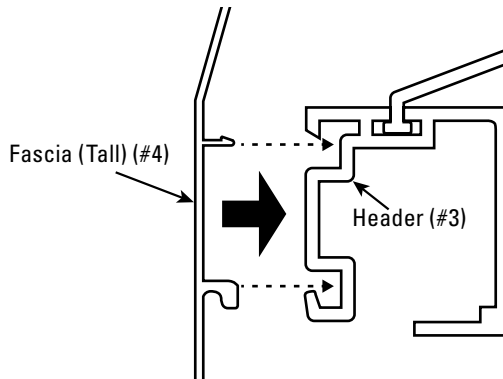


Figure 9

Ceiling Mount

A. Fascia (Short) will be used for ceiling mounted applications.

B. Snap front Fascia (Short) on to Header. See **Figure 10**.

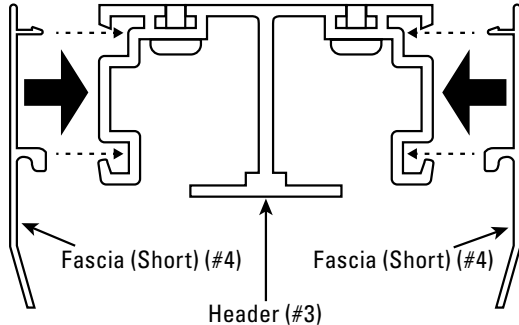


Figure 10

Thank you for purchasing a Cw® Room Partition/Wardrobe Door. We invite you to visit our website at CwDoor.com for more information about our extensive line of Wardrobe Doors, Room Partitions and Loft Dividers, Cabinet Doors, and Shower Enclosures. Our line of Products feature Duratuf® Tempered Safety Glass, Painted Glass, CwShield™ Protective Coating and Duraflect® Copper-Free Mirror.