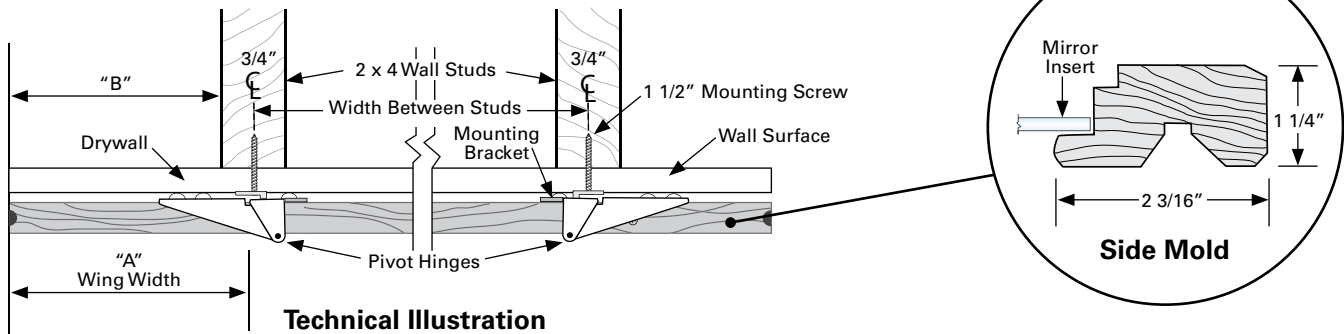


Aristocrat™ Vanity Flair



Pictured in a Clear Acrylic Sealer finish with a Duraflect® copper-free mirror



Finishes:

- Clear Acrylic Sealer, Dark Stain, Light Stain, Medium Stain, Red Mahogany Stain, Whitewash Stain and Unfinished (not warranted against warpage)

Insert Type:

- 3mm Duraflect® copper-free mirror
 - » Elimination of copper dramatically improves quality and life expectancy
 - » This creates a durable, superior grade mirror with exceptional quality

Frame Type:

- 2 1/4" wide solid oak hardwood (milled from 5/4" oak) frame molding
- Frame molding stained and finished using 5 stage process

Track and Channel:

- None

Product Details:

- Mitered corners
- Wings larger than 18" x 36" are manufactured with continuous piano hinge instead of pivot hinge
- All corners glued and secured by two tapered corner fasteners
- Surface mounted with all screws concealed
- Duraflect® copper-free mirror panel has 400lb category II safety backing

Sizes:

- Standard sizes
 - » Width: 48", 60", 72", 84" and 96"
 - » Height: 36"
- Custom sizes
 - » Maximum opening height is 72"

Optional Upgrades:

- 1/2" bevel all
- Decorative back painted glass inserts
- Decorative mirror inserts
- Decorative wood grain inserts
- Face beveling design (v-groove)

