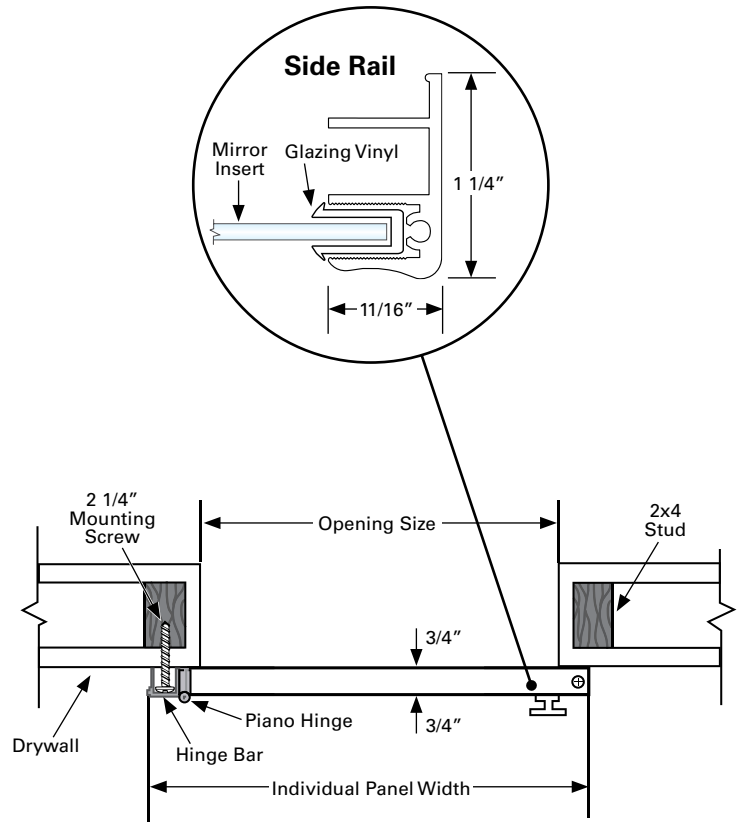


Aurora™ Plus Walk-In



Pictured in a Bright Clear finish with Durafect® copper-free mirror



Technical Illustration

Finishes:

- Bright Clear, Bright Gold, Bronze, Brushed Nickel, Satin Clear and Satin Gold

Insert Type:

- 4mm Duralect® copper-free mirror
 - » Elimination of copper dramatically improves quality and life expectancy
 - » This creates a durable, superior grade mirror with exceptional quality
 - » Prefinished white hardboard backing

Frame Type:

- Anodized aluminum frame

Track and Channel:

- None

Product Details:

- Heavy gauge 6063 extrusions (6463 is polished for bright colors)
- Color matched mirror handles
- Mitered corners
- Magnetic catch closure
- Continuous piano hinge for strength and stability (eliminates sagging)
- Surface mounted with all screws concealed
- Color coordinated glazing vinyl
- Duralect® copper-free mirror panel has 400lb category II safety backing

Sizes:

- Standard sizes
 - » Width: 18", 24", 30" and 36"
 - » Height: 81" and 96"
- Custom sizes
 - » Maximum individual panel width is 36"
 - » Maximum opening height is 99"

Optional Upgrades:

- Decorative back painted glass inserts
- Decorative mirror inserts
- Face beveling design (v-groove)

