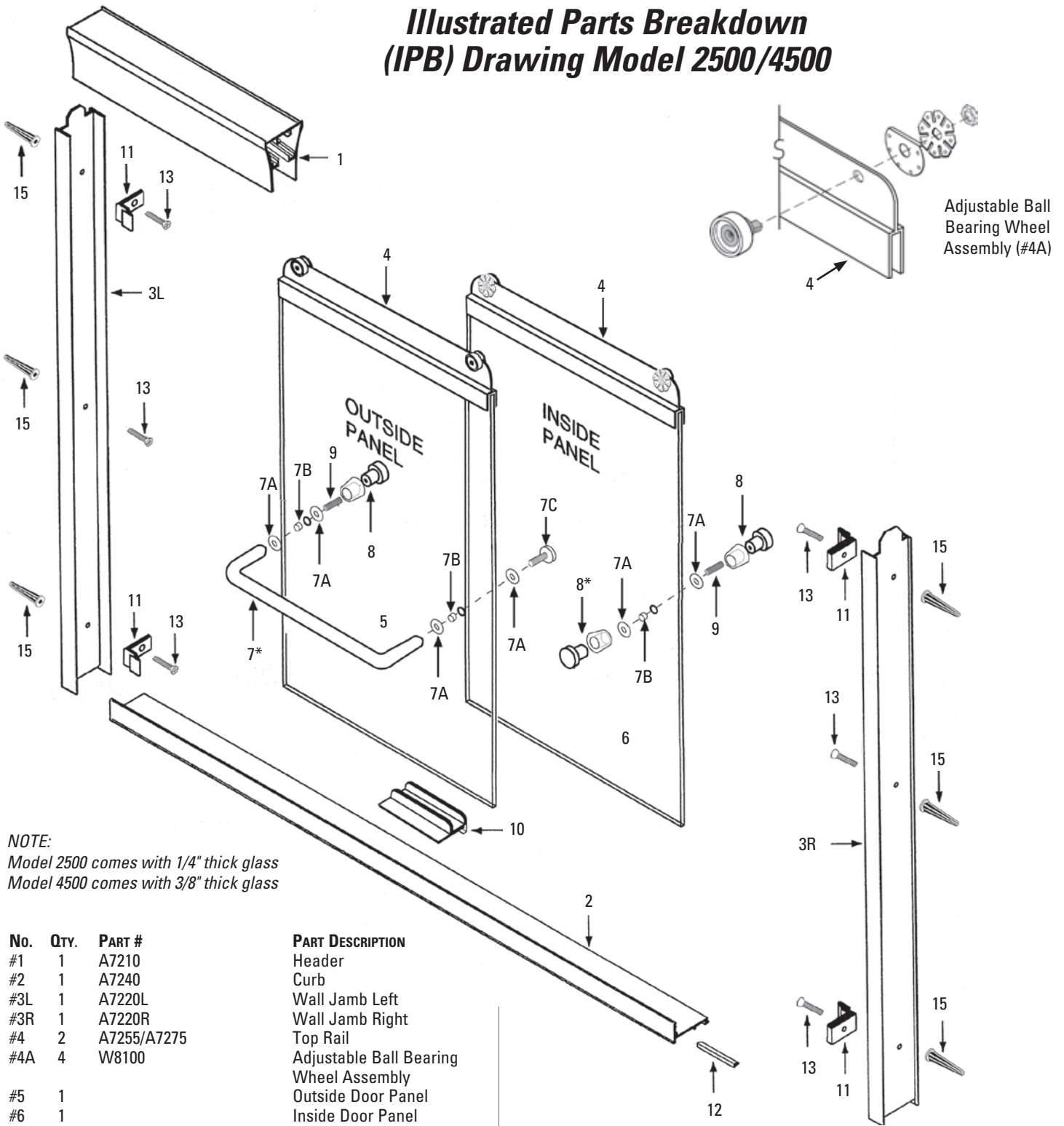


***Model 2500/4500***  
***Illustrated Installation***  
***Instructions***



# Illustrated Parts Breakdown (IPB) Drawing Model 2500/4500



**NOTE:**  
Model 2500 comes with 1/4" thick glass  
Model 4500 comes with 3/8" thick glass

No.	QTY.	PART #	PART DESCRIPTION
#1	1	A7210	Header
#2	1	A7240	Curb
#3L	1	A7220L	Wall Jamb Left
#3R	1	A7220R	Wall Jamb Right
#4	2	A7255/A7275	Top Rail
#4A	4	W8100	Adjustable Ball Bearing Wheel Assembly
#5	1		Outside Door Panel
#6	1		Inside Door Panel
#7	1	TB-STN3-24SMBC	Tubular Towel Bar with Kit

\* Note: Not all door styles have towel bars, some are knobs only

*Kit includes:*

#7A	6		Finger Pull Washer
#7B	3		Finger Pull Bushing
#7C	2		Towel Bar Adapter
#8	3		Barrel Knob with Recessed Finger Pull
#9	2		Knob Post

\* Knob only units have (4) knobs

#10	1	G1125 for 2400 G1140 for 4000	Track Guide
-----	---	----------------------------------	-------------

#11	4	L2000 - Gray	Panel Locator
#12	4	L2005 - Gold L2010 - Bronze	Panel Locator
#13	1	2400 - G4060 - Clear 4000 - G4020GY - Gray 4000 - G4020GD - Gold	Panel Glide Strip (Pre-Installed)
#14	6	S82070 - Gold S82075 - Silver S82075BL - Black S82075W - White	#8 x 1-1/2" FH SMS Screw
#15	1	P2400	#8 x 1-1/2" FH SMS Screw
#16	6	S0170	#8 x 1-1/2" FH SMS Screw

#13	1	2400 - G4060 - Clear 4000 - G4020GY - Gray 4000 - G4020GD - Gold	Panel Glide Strip (Pre-Installed)
#14	6	S82070 - Gold S82075 - Silver S82075BL - Black S82075W - White	#8 x 1-1/2" FH SMS Screw
#15	1	P2400	#8 x 1-1/2" FH SMS Screw
#16	6	S0170	#8 x 1-1/2" FH SMS Screw

In this instruction booklet we will walk you through the installation of your new shower door.

**DO NOT REMOVE your old shower door until you check your new shower door kit for all the proper parts.**

## TOOL CHECK LIST

Make sure that you have all the proper tools required to assemble your new shower door. Use this Check List.



- Phillips Screwdriver
- Level
- Electric Drill
- 1/8" Drill Bit (for fiberglass stall)
- 3/16" Masonry Drill Bit (for tile stall)
- Pencil
- Hammer
- Fine File
- Miter Box and Hacksaw with 32 Teeth/Inch Blade
- Caulking Gun and one (1) Tube of Clear Tub/Tile Silicone
- 1/4" Open End Wrench
- Wire Cutters
- Tape Measure
- Duct Tape
- Safety Glasses and Safety Gloves

**CAUTION: Wear Safety Glasses whenever drilling or cutting. Handle the framed glass Panels carefully. The sharp corners of the Panels can damage tile and floor covering. Tempered glass cannot be cut. Do NOT let the corners of the frameless Door Panels strike the other glass Door Panel or any hard surface, wall or floor. Even tempered glass may be shattered in this manner.**

## STEP 1 Checking Contents of Shower Door Package

DO NOT use a razor blade to cut open the paper wrapping as you may scratch the contents. In the box you should find the following parts:

No.	Qty.	Description
#1	1	Header
#2	1	Curb
#3	2	Wall Jamb (Left and Right)
#5	1	Outside Door Panel
#6	1	Inside Door Panel
#7	1	Tubular Towel Bar Kit
#7A	1	Finger Pull Washer
#7B	1	Finger Pull Bushing
#7C	1	Towel Bar Adapter
#8	3	Barrel Knob with Recessed Finger Pull

#10	1	Track Guide
#11	4	Panel Locator
#12	1	Panel Glide Strip (pre-installed in Bottom Track/Curb)
#13	6	#8 x 1-1/2" FH SMS Screw
		
#14	1	Hole Plug
#15	6	Screw Anchor 

If you find that any parts are damaged or missing, refer to the parts list and IPB Drawing and contact Contractors Wardrobe®'s Customer Service Department at 661.257.1177. NOTE: Views and directions given in these instructions — left, right, front, back, etc. — are from outside the enclosure, facing the shower.

## STEP 2 Removing Existing Shower Doors

Remove existing shower door and all existing parts to that door assembly. Remove all screw anchors from the wall. Clean silicone sealant or tub caulking and any other contaminant from tub and wall.

## STEP 3 Installing the Curb

**NOTE:** If your shower enclosure has a curve in the corners at the side walls, be sure to measure the distance from wall to wall above the curves.

- A. Using the Tape Measure, measure between right and left walls along the flattest part of the tub sill. Write this dimension down.
- B. Using the Tape Measure (See Figure 1, A). Find the center of the Tub Sill (See Figure 1, B). Make a mark where the center is, add 34" to this mark and place a new mark on the Tub Sill on both sides (See Figure 1, C).

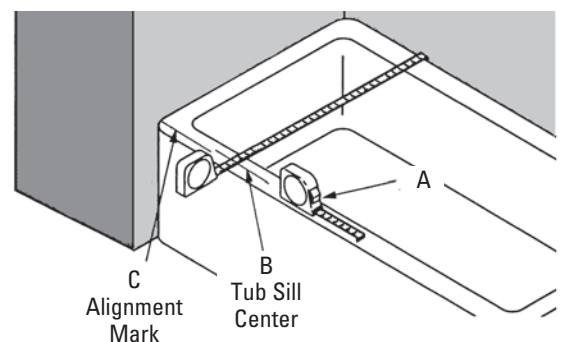


Figure 1

- C. Locate Curb (#2). Remove the Panel Glide Strip (#12) from the Curb (#2) (See Figure 2).

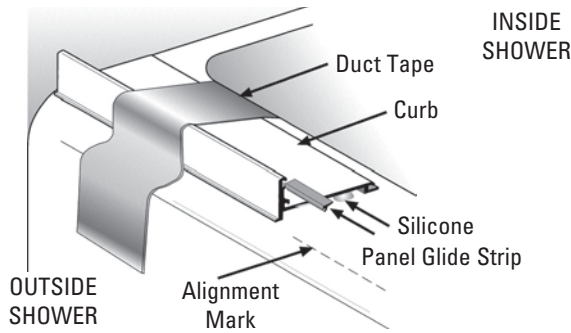


Figure 2

- D. Using the measurement from Step 3A, cut the Curb (#2) to this length. Use the Miter Box and Hacksaw to make a straight cut. If your shower has curved corners, use a Fine File to round off and shape the ends of the Curb (#2) to fit the rounded corners.
- E. Locate the Panel Glide Strip (#12) (See Figure 2) and, using the Wire Cutters, cut it 3/8" shorter than the Curb (#2). Re-install the Panel Glide Strip (#12) into the Curb (#2) so that the ends of Panel Glide Strip (#12) are evenly spaced at each end of the Curb (#2).
- F. Cut two (2) pieces of Duct Tape 12" long. Next, use the Caulking Gun and apply a thick bead of Silicone sealant (approximately 3/8" in diameter) to the bottom surface of the Curb (#2) as indicated in Figure 2. Position the Curb (#2) on the tub sill, aligning with the marks you made in Step 3B. Use the two (2) strips of Duct Tape to temporarily secure the Curb (#2) in place. **DO NOT** place the tape within 2" of the wall.

NOTE: The tape will help provide a positive seal to the tub sill while holding the Curb (#2) in place for the following steps.

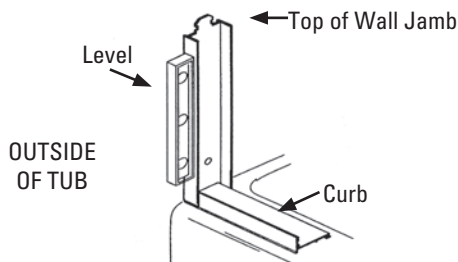


Figure 3

## STEP 4 Installing the Wall Jambs

NOTE: The Model 2500/4500 comes with two (2) Wall Jambs (#3). One (1) is notched for the left wall, the other is notched for the right wall (as you face the enclosure from the outside). Each is marked clearly: "L" for left, "R" for right.

- A. Locate the left Wall Jamb (#3L) marked with an "L".
- B. Place the left Wall Jamb (#3L) against the left wall and slip the bottom of the Wall Jamb (#3L) over the Curb (#2). Use a Level, held against the side of the Wall Jamb (#3L), to align it vertically straight up and down as shown in Figure 3. Use a Pencil to mark the position of each of the three (3) pre-drilled holes in the left Wall Jamb (#3L). Set the Wall Jamb (#3L) aside for the moment.
- C. Using either a 1/8" Drill Bit (for a fiberglass enclosure) or a 3/16" Masonry Drill Bit (for tile) drill three (3) holes where you made the marks. If installing in a tiled enclosure, gently tap a Screw Anchor (#15) into each hole. **DO NOT use the Screw Anchors (#15) for a fiberglass enclosure.**
- D. Place the Wall Jamb (#3L) back over the Curb (#2) and against the wall and secure with a single #8 x 1-1/2" FH SMS Screw (#13) in the TOP hole only.
- E. Repeat Steps 4A-4D for the right Wall Jamb (#3R).

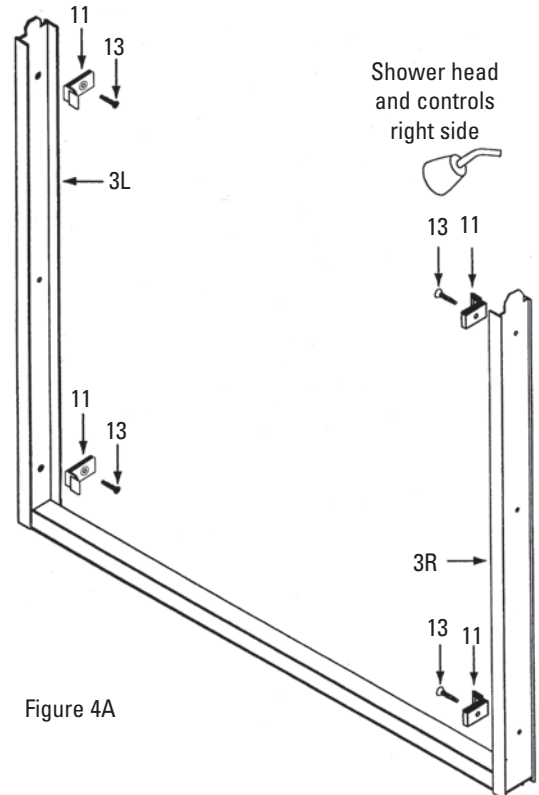


Figure 4A

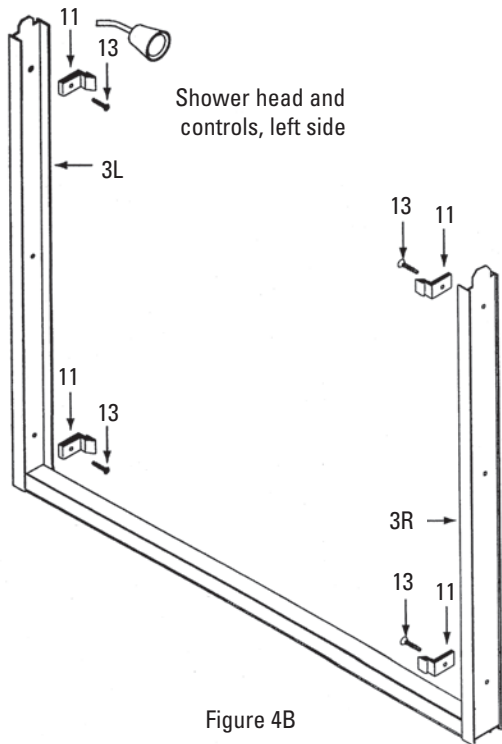


Figure 4B

### STEP 5 Installing the Panel Locator

- A. See Figures 4A and 4B to position the Panel Locator (#11). If the shower head is on the right wall, refer to Figure 4A to position the Panel Locator (#11). If the shower head is on the left, refer to Figure 4B. Secure with a #8 x 1-1/2" FH SMS Screw (#13).

### STEP 6 Installing the Header

- A. Using the Tape Measure, measure the distance between the top of the left Wall Jamb (#3L) and the top of the right Wall Jamb (#3R) (Remember, the width at the bottom of the enclosure may NOT be the same as the width of the top of the enclosure because walls may not be plumb and square).
- B. Locate the Header (#1). Using the Miter Box and Hacksaw, cut the Header (#1) to the length you just measured.
- C. The Model 2500/4500 comes with a positive snap-lock feature which eliminates the need for screws to hold the Header (#1) in place. Position the Header (#1) over the top of the Wall Jamb (#3). Spread the Header (#1) sides slightly as you pull it down onto the Wall Jamb (#3) and it snaps and locks in place. You should be able to hear and feel when it solidly locks into place (See Figure 5A).

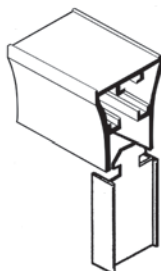


Figure 5A

NOTE: If you purchase Model #4000 with a T-Fin Top Rail, see Model #4000 Supplemental Instructions for installing Wheels and T-Fin Top Rail.

### STEP 7 Installing the Rollers

- A. Locate the Outside Door Panel (#5). Locate the four Adjustable Ball Bearing Wheel Assemblies (#4A). The Adjustable Ball Bearing Wheel Assembly (#4A) consists of a ball bearing wheel (with adjustable cam), the 2-piece locking incremental washer and locking washer and a hex nut. Please note that the hex nut has one flat surface and one slightly rounded surface. The flat side of the hex nut must tighten against the incremental washer.

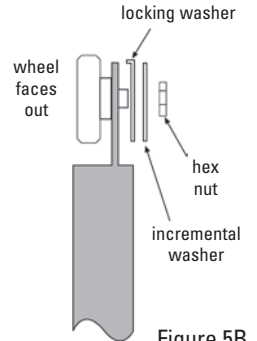


Figure 5B

- B. Attach two (2) Adjustable Ball Bearing Wheel Assemblies (#4A) to the Top Rail (#4) of the Outside Door Panel (#5) with the wheel on the front surface of the "fin". The metal parts should be against the frame, as shown here, and in Figure 5B. Make sure that the interlocking "bumps" and "dimples" on the two (2) washers mate and that the top lip of the locking washer is over the edge of the Top Rail (#4) "fin". Make sure that the FLAT side of the hex nut is against the incremental washer. Firmly tighten the hex nut but do NOT over-tighten (See Figure 6).

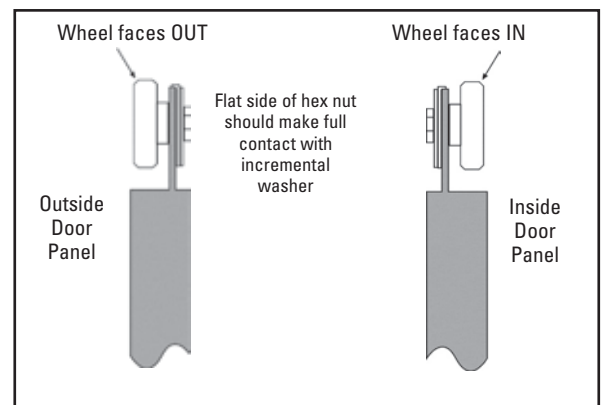


Figure 6

- C. Attach the remaining two (2) Adjustable Ball Bearing Wheel Assemblies (#4A) to the top of Inside Door Panel (#6) with the wheels on the back surface of the "fin", facing the inside of the enclosure as shown in Figure 6. Tighten the hex nut firmly, but do NOT over-tighten.

## STEP 8 Installing the Door Panels

Installing the Door Panels (#5 and #6) may be easier if you have someone assisting you. **Always wear Gloves and Safety Glasses whenever handling glass.** **NOTE: Take extra care in handling frameless glass Door Panels (#5 and #6). DO NOT allow the Door Panels (#5 and #6) to strike the tub/tile or each other.**

- Hold the Inside Door Panel (#6) so that the rollers are facing away from you. Standing outside of and facing the shower enclosure, lift the Inside Door Panel (#6) up and over the Curb (#2) and then insert the Top Rail (#4) with Adjustable Ball Bearing Wheel Assemblies (#4A) up into the Header (#1) and set the rollers into the rear track of the Header (#1).
- Gently lower the rollers into position so that they are seated in the track. Make sure that the Door Panel (#6) rolls freely.

- Hold the Outside Door Panel (#5) so that the rollers are facing towards you. Standing outside of and facing the shower enclosure, use the index fingers of both hands to carefully push the Inside Door Panel (#6) back and out of the way as you lift the Outside Door Panel (#5) up and over the Curb (#2) and then insert the Top Rail (#4) with Adjustable Ball Bearing Wheel Assemblies (#4A) up and into the Header (#1) (See Figure 6). **DO NOT let the two (2) Door Panels (#5 and #6) strike one another.** Set the rollers into the front track of the Header (#1). If someone is assisting you, have him/her hold the Inside Door Panel (#6) back, out of your way for this step.

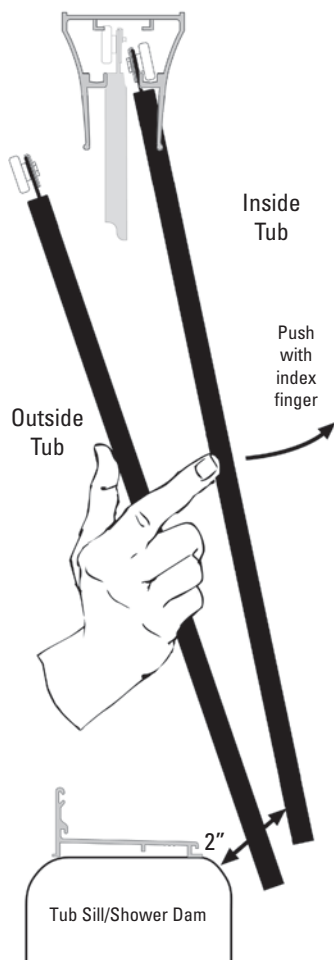


Figure 7

- VERY CAREFULLY seat the Outside Door Panel (#5) into the track and make sure that it rolls freely. Carefully let the Inside Door Panel (#6) ease back into position.
- Slide both Door Panels (#5 and #6) to one (1) side.

## STEP 9 Adjusting and Aligning the Door Panels

- To ensure that the enclosure is water-tight, the Door Panels (#5 and #6) must be correctly aligned. Slide the Inside Door Panel (#6) toward the wall with the shower head. Slide the Outside Door Panel (#6) to the opposite wall. If the Door Panels (#5 and #6) are not flush with the Wall Jamb (#3) or are too high off the Curb (#2), the unit could leak while the shower is in use. If the edges of the Door Panels (#5 and #6) do not align flush with the Wall Jamb (#3), the Door Panels (#5 and #6) need to be adjusted.
- One (1) or more of the Ball Bearing Wheel Assemblies (#4A) may need to be adjusted to properly align the Door Panels (#5 and #6). Using a 1/4" Open End Wrench, rotate the incremental washer and adjustment nut of the Ball Bearing Wheel Assemblies (#4A) in either direction until the Door Panels (#5 and #6) hang flush with the Wall Jamb (#3).

## STEP 10 Installing the Tubular Towel Bar, Barrel Knob with Recessed Finger Pull

Before you begin, refer to Figure 7 to determine the correct orientation of hardware for your own installation. The Inside Door Panel (#6), with back-to-back Barrel Knob with Recessed Finger Pull (#8) will slide to the wall nearest the shower head. The Outside Door Panel (#5), with Tubular Towel Bar and Barrel Knob with Recessed Finger Pulls (#8) will slide to the opposite wall.

- Locate the Tubular Towel Bar Kit (#7) with two (2) Towel Bar Adapters (#7C), two (2) Barrel Knob with Recessed Finger Pulls (#8), four (4) Finger Pull Washers (#7A), and two (2) Finger Pull Bushings (#7B). Refer to the IPB Drawing to help identify these parts.
- Assemble the threaded post of Towel Bar Adapter (#7C) into the end of the Tubular Towel Bar (#7) by screwing "finger tight". Do for both sides (See Figure 8).

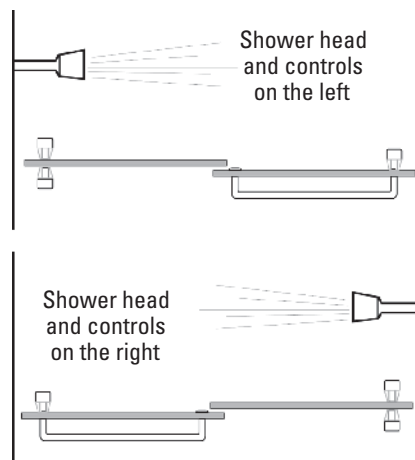


Figure 8

- C. Slide both Door Panels (#5 and #6) to the Wall Jamb (#3) opposite the side with the shower head. Now slide the Outside Door Panel (#5) 5" to 6" toward the shower head. This will give you clearance to perform the next step.
- D. Insert a Finger Pull Bushing (#7B) into the hole in the Outside Door Panel (#5) nearest the shower head. Place a Finger Pull Washer (#7A) over the Finger Pull (#8) and insert the Barrel Knob with Recessed Finger Pull (#8) post with Clear Plastic Finger Pull Washer (#7A) through the Finger Pull Bushing (#7B) so that the end sticks out on the front of the Outside Door Panel (#5).
- E. Place another Clear Plastic Finger Pull Washer (#7A) over the exposed end of the Barrel Knob with Recessed Finger Pull (#8) and attach the assembled Towel Bar Adapter (#7C) (See Step 10, B) to the threaded post by screwing in the Barrel Knob with Recessed Finger Pull (#8) "finger tight". Use Phillips Screwdriver to hold Barrel Knob with Recessed Finger Pull (#8) when tightening the Towel Bar Adapter (#7C).
- F. Repeat step 10-D and 10-E on the other hole drilled through glass of the Outside Door Panel (#5), to complete installation of the Tubular Towel Bar Kit (#7) (See Figure 9A).

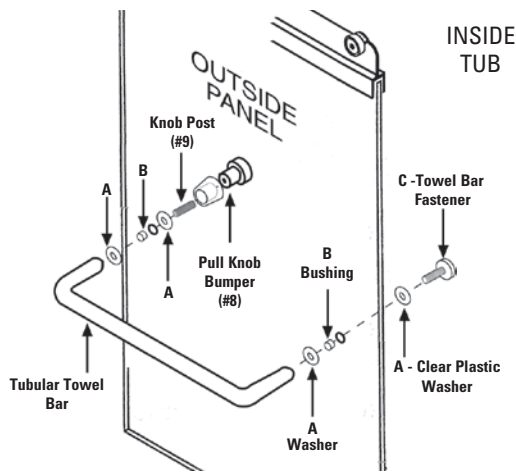


Figure 9A

- G. Now slide the Inside Door Panel (#6) toward the shower head about 5" to 6" for the next step.
- H. To install the Back-to-Back Barrel Knob with Recessed Finger Pull (#8), refer to Figure 9B as you attach the Barrel Knob with Recessed Finger Pull (#8) on the Inside Door Panel (#6).

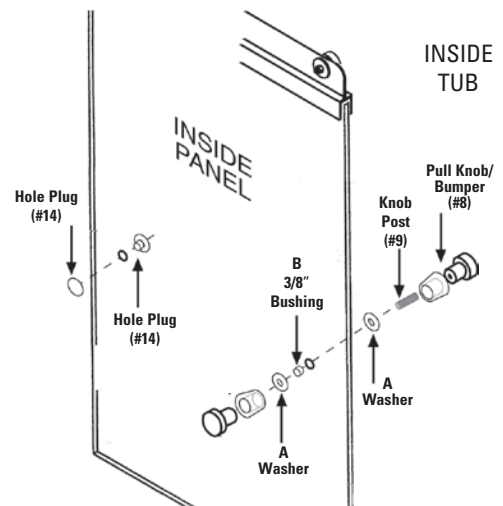


Figure 9B

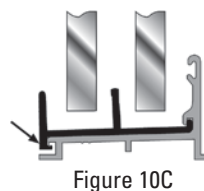
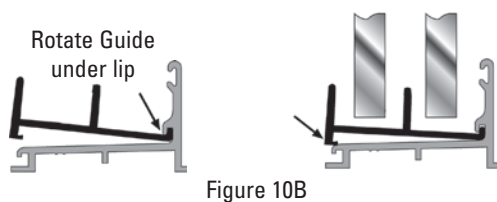
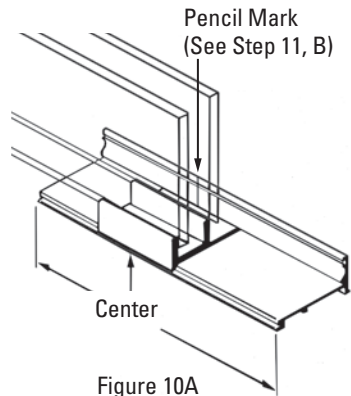
- I. Locate the Back-to-Back Barrel Knob with Recessed Finger Pull (#8) which contains one (1) Barrel Knob (#8), one (1) Recessed Finger Pull (#8), one (1) Finger Pull Bushing (#7B), and two (2) Finger Pull Washers (#7A). Refer to the IPB Drawing to help identify these parts (See Figure 9A).
- J. Insert a Finger Pull Bushing (#7B) into the hole in the glass nearest the shower head. Place a Finger Pull Washer (#7A) over the threaded post of the Recessed Finger Pull (#8) and from outside tub insert the Recessed Finger Pull (#8) threaded Knob Post (#9) with Finger Pull Washer (#7A) through the Finger Pull Bushing (#7B) so that the end sticks out on the back of the Inside Door Panel (#6).
- K. Place another Clear Plastic Finger Pull Washer (#7A) over the exposed end of the Recessed Finger Pull (#8) and from inside tub attach the Barrel Knob (#8) to threaded post of the Recessed Finger Pull (#8) by screwing "finger tight". Use Phillips Screwdriver to hold Recessed Finger Pull and tighten Barrel Knob "finger tight".
- L. Finally, gently slide the Inside Door Panel (#6) towards the wall with the shower head and the Outside Door Panel (#5) to the other wall to ensure that they clear one another. Double check that the overlap of the two (2) Door Panels (#5 and #6) is correct, as shown in Figure 7.

## STEP 11 Installing the Guide

**WARNING! DO NOT ATTEMPT TO LOCK THE TRACK GUIDE (#10) IN PLACE UNTIL YOU ARE READY TO INSTALL IT!** Once the Track Guide (#10) is in place the shower Door Panels (#5 and #6) will be **EXTREMELY** difficult to remove and adjusting or removing the Track Guide (#10) will be nearly impossible.

- A. Locate the Track Guide (#10). First, make sure that the surface of the Curb (#2) is completely clean of oil, dust, debris or other contaminants.

- B. With a Tape Measure, measure from Wall Jamb (#3) to Wall Jamb (#3) and, with a Pencil, mark the center point of the Curb (#2) on the inside edge of the Curb (#2) or lightly on the tub sill or tile where it will be visible. Remember, you will want to be able to see the pencil mark after you insert the Track Guide (#10) into the groove in the Curb (#2) so that you can center the Track Guide (#10).
- C. Slide both Door Panels (#5 and #6) to one (1) side. Peel the paper backing off the two-way tape on the bottom of the Track Guide (#10). Without letting the adhesive tape touch the Curb (#2) or accidentally pressing down or locking the Track Guide (#10) into place, carefully insert the front edge of the Track Guide (#10) into the groove in the Curb (#2) and slide the Track Guide (#10) under the two (2) Door Panels (#5 and #6) as shown in Figure 10A. Center the Track Guide (#10) on the pencil mark you made (See Figure 10A).
- D. Press the Track Guide (#10) onto the Curb (#2) and lock it into position by pressing firmly on the back edge of the Track Guide (#10) as shown in Figure 10B. You should feel it lock into place. If the Track Guide (#10) doesn't lock into position easily, it may be necessary to press firmly on one (1) end to start the process and work along the back of the Track Guide (#10) in order to lock it into place (See Figure 10C).



## STEP 12 Silicone Sealing the Enclosure

- A. Using Caulking Gun and Clear Silicone, seal both ends of the Curb (#2) where it meets the Wall Jambs (#3) and along the interior and exterior edge of the Header (#1).

NOTE: Silicone sealant must cure for 24 hours before you use your new enclosure. Silicones may vary. Please follow curing instructions on the tube.

## STEP 13 Cleaning the Door Panels

Clean the glass and enclosure hardware with a mild, non-abrasive cleaner designed for mirror and/or glass. Avoid using scouring cleansers as this will scratch and mar the beautiful finish on the enclosure.

Thank you for purchasing a Cw® Shower Enclosure. If you like this product, we invite you to visit our website at [www.CwDoor.com](http://www.CwDoor.com) for more information about our extensive line of other Shower Enclosures, Room Partitions and Loft Dividers, Cabinet Doors and Wardrobe Doors. They feature Duratuf® Tempered Safety Glass, Painted Glass, CwShield™ Protective Coating and Duraflect® Copper-Free Mirror.