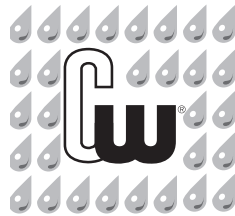


Model 2700/4700

Illustrated Installation

Instructions



Contractors Wardrobe®

DESIGNERS • MANUFACTURERS

26121 Avenue Hall • Valencia, CA 91355 • (661) 257-1177 • Fax: (661) 257-4907

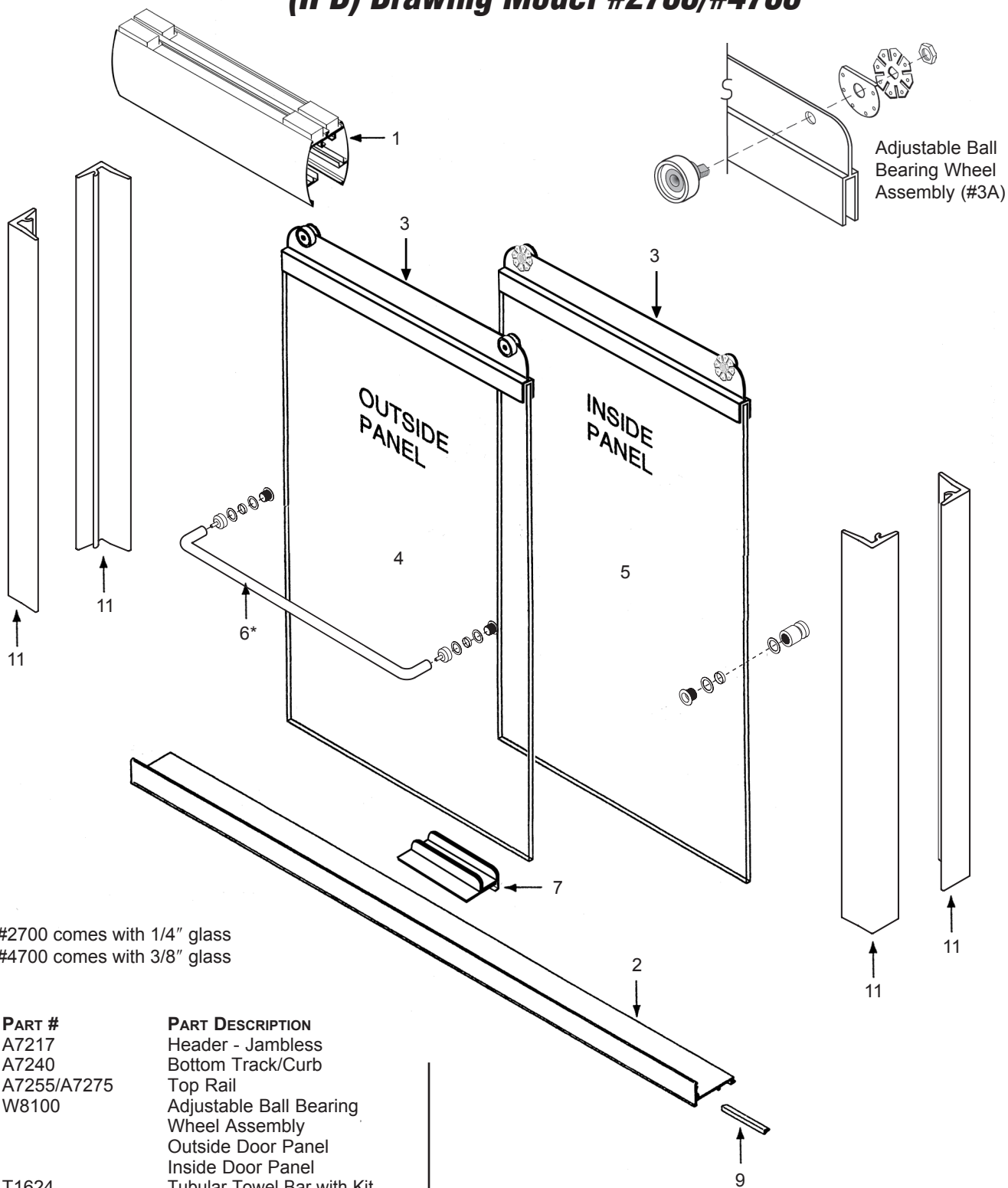
Toll Free: (800) CW-DOORS • (800) 293-6677 • www.CwDoor.com

If your door is shipped with plastic corner protectors keep the corner protectors on the glass when unpacking and do not remove them until after you have installed the glass panels.

**KEEP THE CORNER PROTECTORS
ON THE GLASS WHILE
INSTALLING**



Illustrated Parts Breakdown (IPB) Drawing Model #2700/#4700



Note: Model #2700 comes with 1/4" glass
Model #4700 comes with 3/8" glass

No.	QTY	PART #	PART DESCRIPTION
#1	1	A7217	Header - Jambless
#2	1	A7240	Bottom Track/Curb
#3	2	A7255/A7275	Top Rail
#3A	4	W8100	Adjustable Ball Bearing Wheel Assembly
#4	1		Outside Door Panel
#5	1		Inside Door Panel
#6	1	T1624	Tubular Towel Bar with Knob
#7	1	G1125/G1140	Bottom Track Guide
#8	1	P2400	Hole Plug (shown on Page 7)
#9	1	G4060 Clear	Panel Glide Strip for #2700
		G4020GD Gold	Panel Glide Strip for #4700
		G4020GY Gray	Panel Glide Strip for #4700

* Note: Not all door styles have towel bars, some are knobs only

* Knob only units have (4) knobs

No.	QTY	PART #	PART DESCRIPTION
#10	2 Bags	BS2140	Heavy Glass Wall Mount Bracket (each bag consists of 2 brackets, 2 screws and a wrench)
#11	2 Each	PCLS98	Clear "L" Shape Polycarbonate Recessed Finger Pull and Barrel Knob Set
#12	1 Bag	KAFPTBS	Clear Recessed Finger Pull and Barrel Knob Set with Towel Bar Adaptor

In this instruction booklet we will walk you through the installation of your new shower door.

DO NOT REMOVE your old shower door until you check your new shower door kit for all the proper parts.

Make sure that you have all the proper tools required to assemble your new shower door. Use this check list.

- Phillips Screwdriver
- Level
- Electric Drill
- 1/8" Drill Bit (for fiberglass stall)
- 3/16" Masonry Drill Bit (for tile stall)
- Pencil
- Hammer
- Fine File
- Miter Box & Hacksaw with 32 Teeth/Inch Blade
- Caulking Gun and one Tube of Clear Tub/Tile Silicone
- 1/4" Open End Wrench
- Wire Cutters
- Tape Measure
- Duct Tape
- Safety Glasses

CAUTION: Wear Safety Glasses whenever drilling or cutting. Handle the framed glass Panels carefully. The sharp corners of the Panels can damage tile and floor covering. Tempered glass cannot be cut. Do NOT let the corners of the frameless Door Panels strike the other glass Door Panel or any hard surface, wall or floor. Even tempered glass may be shattered in this manner.

STEP 1 Checking Contents of Shower Door Package

DO NOT use a razor blade to cut open the paper wrapping as you may scratch the contents. In the box you should find the following parts:

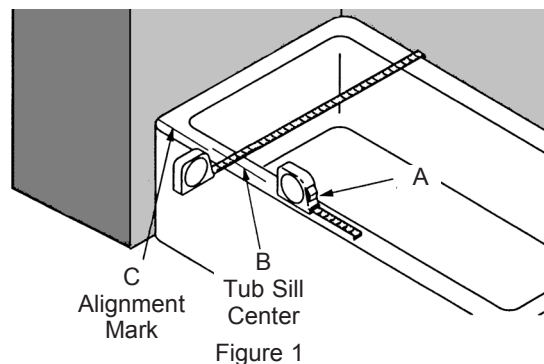
No.	Qty.	Description
(#1)	1	Header - Jambless
(#2)	1	Bottom Track/Curb
(#4)	1	Outside Door Panel
(#5)	1	Inside Door Panel
(#6)	1	Tubular Towel Bar with Kit
(#7)	1	Bottom Track Guide
(#9)	1	Panel Glide Strip
(#10)	2 Bags	Heavy Glass Wall Mount Bracket
(#11)	4	"L" Shape Polycarbonate

If you find that any parts are damaged or missing, refer to the parts list and IPB Drawing and contact Contractors Wardrobe®'s Customer Service Department at 661-257-1177. NOTE: Views and directions given in these instructions — left, right, front, back, etc. — are from outside the enclosure, facing the shower.

STEP 2 Removing Existing Shower Doors

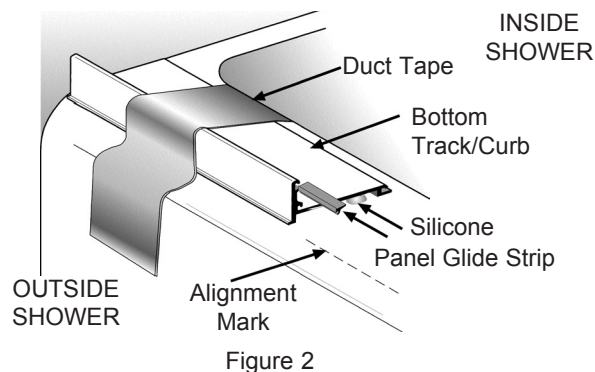
- A. Remove existing shower door and all existing parts to that door assembly. Remove all screw anchors from the wall. Clean silicone sealant or tub caulking and any other contaminant from tub and wall.

STEP 3 Installing Bottom Track/Curb



NOTE: If your shower enclosure has a curve in the corners at the side walls, be sure to measure the distance from wall to wall above the curves.

- A. Using the Tape Measure, measure between right and left walls along the flattest part of the tub sill. Write this dimension down.
- B. Using the Tape Measure, find the center of the tub sill (See Figure 1B). Make a mark where the center is, add 3/4" to this mark and place a new mark on the tub sill on both sides (See Figure 1C).



- C. Locate Bottom Track/Curb (#2). Trim Panel Glide Strip (#9) 1-1/2" and center in curb.
- D. Using the measurement from Step 3A, cut the Bottom Track/Curb (#2) to this length. Use the Miter Box and Hacksaw to make a straight cut. If your shower has curved corners, use a Fine File to round off and shape the ends of the Bottom Track/Curb (#2) to fit the rounded corners.
- F. Cut two pieces of Duct Tape 12" long. Next, use the Caulking Gun and apply a thick bead of Silicone sealant (approximately 3/8" in diameter) to the bottom surface of the Bottom Track/Curb (#2) as indicated in Figure 2. Position the Bottom Track/Curb (#2) on the tub sill, aligning with the marks you made in Step 3C. Use the two strips of Duct Tape to temporarily secure the Bottom Track/Curb (#2) in place. DO NOT place the tape within 2" of the wall.

NOTE: The tape will help provide a positive seal to the tub sill while holding the Bottom Track/Curb (#2) in place for the following steps.

STEP 4 Installing the Header

- A. Using the Tape Measure, measure the distance between the top of the left Wall Jamb (#3L) and the top of the right Wall Jamb (#3R) (Remember, the width at the bottom of the enclosure may NOT be the same as the width of the top of the enclosure because walls may not be plumb and square).
- B. Locate the Header (#1). Using the Miter Box and Hacksaw, cut the Header (#1) to the length you just measured.
- C. Slide Heavy Plate Wall Mount Bracket (#10) with Allen Screws facing into the center of the unit. Leave Heavy Plate Wall Mount Bracket (#10) lightly tightened so that it does not have free play. Place Header (#1) in position to align screws with pre-drilled holes. Partially insert screw on one side of unit, proceed to the other side of the unit and partially insert screws. Sink screws in completely on both sides of unit. Tighten Allen Screws on Heavy Plate Wall Mount Bracket (#10).

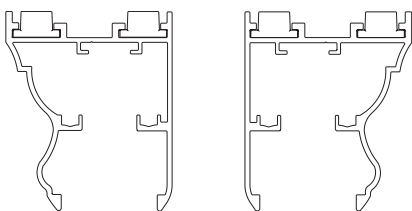


Figure 3

D. Installing the Architectural Header

The Architectural Header can be installed flat side inside or out - choose now

1. Find your centerline where the door is being installed.
2. Measure from the base of shower/tub enclosure to the top of the shower's finished opening height. Make a line marking the top.
3. Take the template and line up with your finished opening height mark.
4. Mark holes and then drill holes.
5. Slide Heavy Plate Wall Mount Brackets (#10) in - one in front groove and one in back groove. Slightly tighten with Allen Wrench.
6. Lift Header (#1) into place - line up top of Header (#1) with finished opening. Drill two screws into the wall on each side at an angle. Then tighten the Allen Screws on both sides. See Figure 3

STEP 5 Installing the Door Panels

Installing the door Panels may be easier if you have someone assisting you. **Always wear Gloves and Safety Goggles whenever handling glass.** NOTE: Take extra care in handling frameless glass Panels. DO NOT allow the Panels to strike the tub/tile or each other.

- A. Hold the Inside Door Panel (#5) so that the rollers are facing away from you. Standing outside of and facing the shower enclosure, lift the Inside Door Panel (#5) up and over the Bottom Track/Curb (#2) and then insert the Top Rail (#3) with Adjustable Ball Bearing Wheel Assemblies (#3A) up into the Header (#1) and set the rollers into the rear track of the Header (#1).
- B. Gently lower the rollers into position so that they are seated in the track. Make sure that the Panel rolls freely.

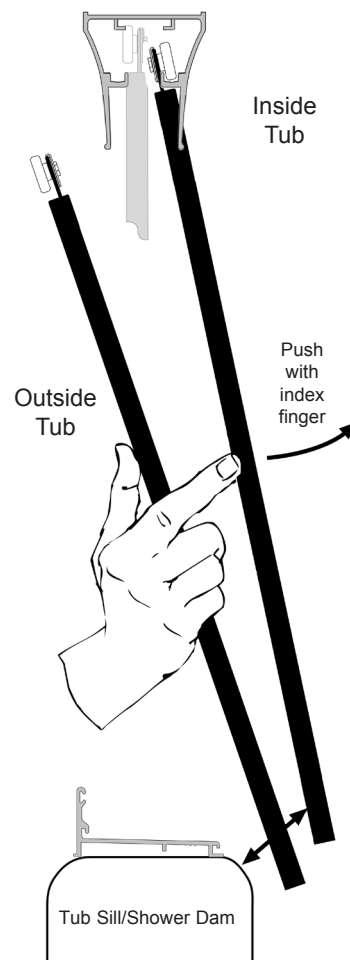


Figure 4

- C. Hold the Outside Door Panel (#4) so that the rollers are facing *towards* you. Standing outside of and facing the shower enclosure, use the index fingers of both hands to carefully push the Inside Door Panel (#5) back and out of the way as you lift the Outside Door Panel (#4) up and over the Bottom Track/Curb (#2) and then insert the Top Rail (#3) with Adjustable Ball Bearing Wheel Assemblies (#3A) up and into the Header (#1) (See Figure 4). **DO NOT let the two Panels strike one another.** Set the rollers into the front track of the Header (#1). If someone is assisting you, have him/her hold the Inside Door Panel (#5) back, out of your way for this step.
- D. VERY CAREFULLY seat the Outside Door Panel (#4) into the track and make sure that it rolls freely. Carefully let the Inside Door Panel (#5) ease back into position.
- E. Slide both Panels to one side.

STEP 6 **Adjusting and Aligning the Door Panels**

- A. To ensure that the enclosure is water-tight, the Door Panels (#4 and #5) must be correctly aligned. Slide the Inside Door Panel (#5) toward the wall with the shower head. Slide the Outside Door Panel (#4) to the opposite wall. If the Door Panels (#4 and #5) are not flush with the **Wall Jambs (#3)** or are too high off the Bottom Track/Curb (#2), the unit could leak while the shower is in use. If the edges of the Door Panels (#4 and #5) do not align flush with the Wall Jambs (#3), the Door Panels (#4 and #5) need to be adjusted.
- B. One or more of the Ball Bearing Wheel Assemblies (#3A) may need to be adjusted to properly align the Door Panels (4 and #5). Using a 1/4" Open End Wrench, rotate the incremental washer and adjustment nut of the Ball Bearing Wheel Assemblies (#3A) in either direction until the Door Panels (#4 and #5) hang flush with the **Wall Jambs (#3)**.

STEP 7 **Installing the Tubular Towel Bar and Pull Knobs**

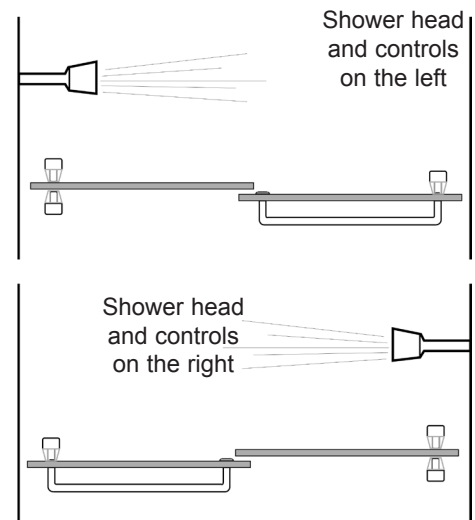


Figure 5

A.

B.

C.

D.

E.

F.

G.

STEP 8 Installing the Guide

WARNING! DO NOT ATTEMPT TO LOCK THE BOTTOM TRACK GUIDE (#10) IN PLACE UNTIL YOU ARE READY TO INSTALL IT! Once the Bottom Track Guide (#10) is in place the shower door Panels will be **EXTREMELY** difficult to remove and adjusting or removing the Bottom Track Guide (#10) will be nearly impossible.

- Locate the Bottom Track Guide (#7). First, make sure that the surface of the Bottom Track/Curb (#2) is completely clean of oil, dust, debris or other contaminants.
- With a Tape Measure, measure from **Wall Jamb (#3)** to **Wall Jamb (#3)** and, with a Pencil, mark the center point of the Bottom Track/Curb (#2) on the inside edge of the Bottom Track/Curb (#2) or lightly on the tub sill or tile where it will be visible. Remember, you will want to be able to see the pencil mark after you insert the Bottom Track Guide (#7) into the groove in the Bottom Track/Curb (#2) so that you can center the Bottom Track Guide (#7).
- Slide both Door Panels (#4 and #5) to one side. Peel the paper backing off the two-way tape on the bottom of the Bottom Track Guide (#7). Without letting the adhesive tape touch the Bottom Track/Curb (#2) OR accidentally pressing down or locking the Bottom Track Guide (#7) into place, carefully insert the front edge of the Bottom Track Guide (#7) into the groove in the Bottom Track/Curb (#2) and slide the Bottom Track Guide (#7) under the two Door Panels (#5 and #6) as shown in Figure 6. Center the Bottom Track Guide (#7) on the pencil mark you made (See Figure 6).

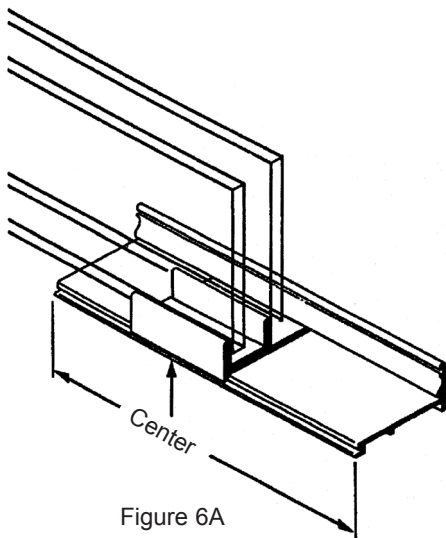


Figure 6A

- Press the Bottom Track Guide (#7) onto the Bottom Track/Curb (#2) and lock it into position by pressing firmly on the back edge of the Bottom Track Guide (#7) as shown in Figure 6B. You should feel it lock into place. If the Bottom Track Guide (#7) doesn't lock into position easily, it may be necessary to press firmly on one end to start the process and work along the back of the Bottom Track Guide (#7) in order to lock it into place (See Figure 6C).

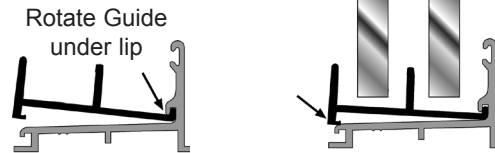


Figure 6B

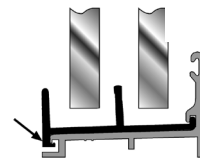


Figure 6C

STEP 9 Installing Polycarbonate Wall Jamb

Measure from curb to bottom of header, leave 1/2". Cut Polycarbonate to desired length. Install exterior sides first. Standing outside the enclosure start with left or right side. Place the first polycarbonate with the wider leg sticking out toward the glass, tape side to the wall, and bottom butts up to the front side of bottom track/curb. Slide the outside panel to the wall holding the polycarbonate up to ensure the glass is hitting the polycarbonate where it should. Keeping the polycarbonate in place remove the red plastic strip to reveal the sticky tape - starting at the top going down. Press the polycarbonate against the wall firmly. On the same side take a second piece of polycarbonate with the wider leg sticking out toward the glass, tape side to the wall. Slide the inside glass panel to the wall holding the polycarbonate up to ensure the glass is hitting the polycarbonate where it should.

STEP 10 ***Cleaning the Door Panels***

Clean the glass and enclosure hardware with a mild, non-abrasive cleaner designed for glass such as CW® Mirror & Glass Cleaner. Avoid using scouring cleansers as this will scratch and mar the beautiful finish on the enclosure.

Thank you for purchasing a CW® Shower Enclosure. This is only one of a large line of shower enclosures and high quality wardrobe door products. If you like this product, please contact Contractors Wardrobe® for more information about our many beautiful wardrobe doors in bi-pass and bi-fold styles with steel, aluminum and hardwood frames.